

DM412

Version : A.003
Issue Date : 2007/08/27
File Name : SP-DM412-A.003.doc
Total Pages: 35

3-CHANNEL CONSTANT CURRENT LED DRIVERS WITH LED OPEN DETECTION



SITI

新竹市科學園區展業一路9號7樓之1
SILICON TOUCH TECHNOLOGY INC.

9-7F-1, Prosperity Road 1, Science Based Industrial Park,
Hsin-Chu, Taiwan 300, R.O.C.

Tel : 886-3-5645656 Fax : 886-3-5645626



DM412

3-CHANNEL CONSTANT CURRENT LED DRIVERS WITH LED OPEN DETECTION

General Description

DM412 is a PWM enabled LED driver specifically designed for LED video display or lighting applications. Each channel has linear adjustable 16-bits (65536 steps) grayscale PWM control current outputs. It incorporates shift registers, data latches, 3-channel constant current circuitry with current value set by 3 external resistors, and built-in oscillator for PWM functioning. Data, clock, and latch buffer outputs are designed for cascading another chip. Its built-in open detection function help users locate LED failures without additional circuits. The output polarity reverse function is designed for more high power LED applications.

Features

- Maximum constant current outputs: 200mA determined by three external resistors
- Maximum sinking output voltage: 17V
- Maximum serial-in clock frequency: 20 MHz
- 16-bit linear PWM control current outputs
- Built-in buffers for cascading clock, data, and strobe to next driver
- PWM free-running capability (refresh rate (~ 267 Hz) with internal oscillator (~ 17.5 MHz))
- Selectable auto/manual strobe (Patent pending)
- LED open detection
- Output polarity reverse function
- Power supply voltage: 4V ~ 5.5V

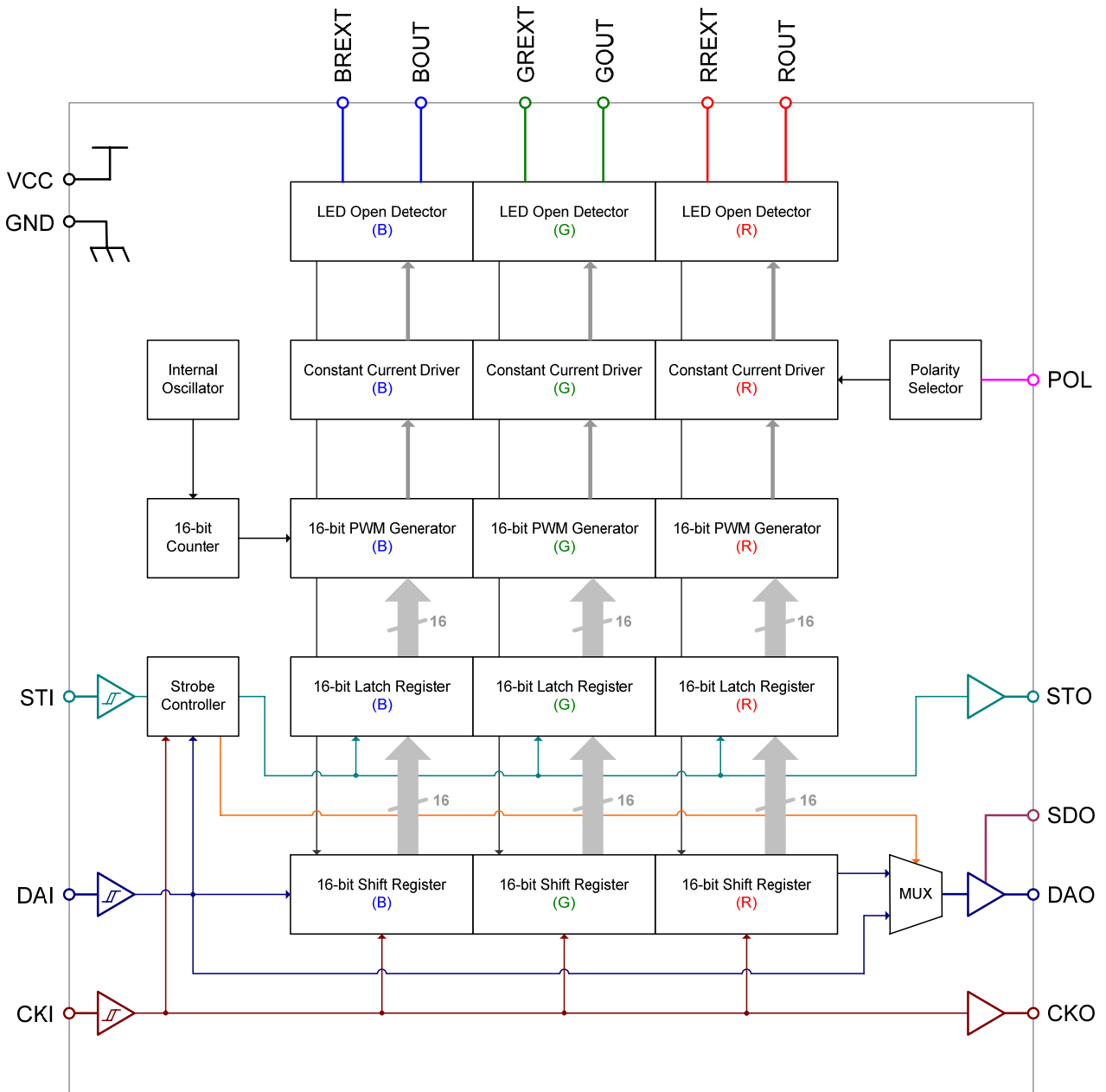
Applications

- LED Decorative Lighting
- Indoor/Outdoor LED Video or Message Display
- PWM Signal Generator

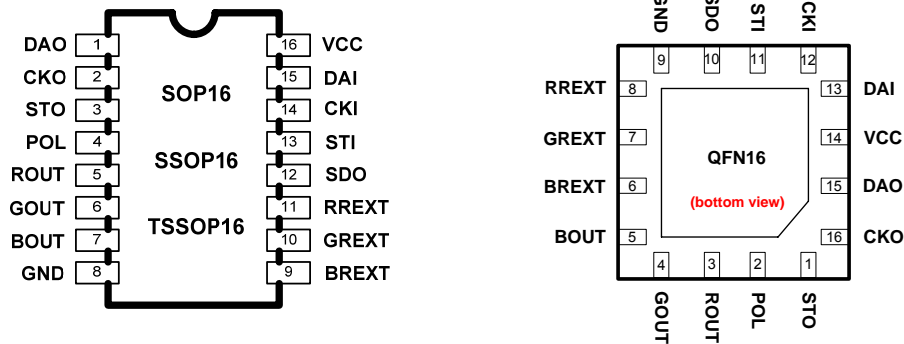
Package

- SSOP16, SOP16 (with exposed pad), TSSOP16 (with exposed pad), QFN16 (with exposed pad)

Block Diagram



Pin Connection



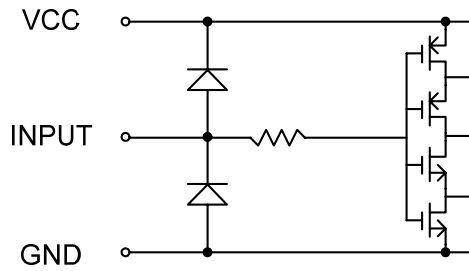
Pin Description

PIN No.	PIN NAME	FUNCTION
SOP16/SSOP16/TSSOP16: 1 QFN16: 15	DAO	Serial data output terminal.
SOP16/SSOP16/TSSOP16: 2 QFN16: 16	CKO	Clock output terminal.
SOP16/SSOP16/TSSOP16: 3 QFN16: 1	STO	Strobe output terminal.
SOP16/SSOP16/TSSOP16: 4 QFN16: 2	POL	PWM current output polarity selection: ‘H’ means DM412 is to be LED driver, ‘L’ means DM412 is to be PWM generator.
SOP16/SSOP16/TSSOP16: 5~7 QFN16: 3~5	R(G · B)OUT	Sink constant current outputs (open-drain).
SOP16/SSOP16/TSSOP16: 8 QFN16: 9	GND	Ground terminal.
SOP16/SSOP16/TSSOP16: 9~11 QFN16: 6~8	R(G · B)REXT	External resistors connected between R(G · B)REXT and GND for driver current value setting.
SOP16/SSOP16/TSSOP16: 12 QFN16: 10	SDO ^{*1}	Serial data output trigger mode selection: ‘H’ means data is shifted out on synchronization to falling edge of CKO, ‘L’ means data is shifted out on synchronization to rising edge of CKO.
SOP16/SSOP16/TSSOP16: 13 QFN16: 11	STI	Input terminal of data strobe: ‘H’ means data is latched, ‘L’ means data on shift register goes through latch (level latch).
SOP16/SSOP16/TSSOP16: 14 QFN16: 12	CKI	Synchronous clock input terminal for serial data transfer. Data is sampled at the rising edge of CKI.
SOP16/SSOP16/TSSOP16: 15 QFN16: 13	DAI	Serial data input terminal.
SOP16/SSOP16/TSSOP16: 16 QFN16: 14	VCC	Power supply terminal.

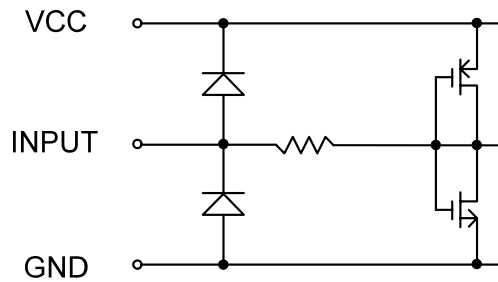
^{*1} It is recommended that SDO should be set to **high level** in cascading system applications.

Equivalent Circuit of Inputs and Outputs

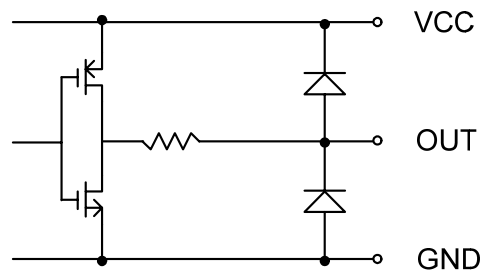
1. CKI, DAI, STI, SDO terminals



2. POL terminals



3. CKO, DAO, STO terminal





Maximum Ratings (Ta=25°C, Tj(max) = 140°C)

CHARACTERISTIC	SYMBOL	RATING	UNIT
Supply Voltage	VCC	-0.3 ~ 7.0	V
Input Voltage	VIN	-0.3 ~ VCC+0.3	V
Output Current	IOUT	200	mA
Output Voltage	VOUT	-0.3 ~ 17	V
Input Clock Frequency	FCKI	20	MHz
GND Terminal Current	IGND	610	mA
Power Dissipation	PD	0.77 (QFN16 exposed pad: Ta=25°C) 0.82 (SSOP16 : Ta=25°C) 1.4 (SOP16 exposed pad: Ta=25°C) 2.1 (TSSOP16 exposed pad: Ta=25°C)	W
Thermal Resistance	Rth(j-a)	150 (QFN16) 140.2 (SSOP16) 81.2 (SOP16 exposed pad) 55 (TSSOP16 exposed pad)	°C/W
Operating Temperature	Top	-40 ~ 85	°C
Storage Temperature	Tstg	-55 ~ 150	°C

Recommended Operating Condition

CHARACTERISTIC	SYMBOL	CONDITION	MIN.	TYP.	MAX.	UNIT
Supply Voltage	VCC	—	4	5.0	5.5	V
Output Voltage	VOUT	Driver On ^{*1}	1.0	—	10	V
Output Voltage	VOUT	Driver Off ^{*2}	—	—	17	
Output Current	IO	OUT (R, G, B)	5	—	200 ^{*3}	mA
	IOH	SERIAL-OUT	—	—	1.2	
	IOL		—	—	1.5	
Input Voltage	VIH	VCC = 4 V ~ 5.5V	0.8VCC	—	VCC	V
	VIL		0.0	—	0.2VCC	
Input Clock Frequency	FCKI	Single Chip Operation	DC	—	20M	Hz
		Cascade Operation (SDO='H', CL=13pF)			20M	
		Cascade Operation (SDO='L', CL=13pF)			10M	
STI Pulse Width	tw STI	VCC = 4 V ~ 5.5V	20	—	—	ns
CKI Pulse Width	tw CLK		20	—	—	
Set-up Time for DAI	tsetup(D)		15	—	—	
Hold Time for DAI	thold(D)		15	—	—	
Set-up Time for STI	tsetup(L)		15	—	—	
Set-up Time for Internal Strobe	tsetup(istb)		1	—	—	
Internal Oscillator Frequency	FOSC		14	17.5	21	MHz

^{*1} Notice that the power dissipation is limited to its package and ambient temperature.

^{*2} The driver output voltage including any overshoot stress has to be compliant with the maximum voltage (17V).

^{*3} It is recommended to choose good thermal dissipation package such as TSSOP16 (Iout = 100mA ~ 200mA).

Electrical Characteristics (VCC = 5.0 V, Ta = 25°C unless otherwise noted)

CHARACTERISTIC	SYMBOL	CONDITION	MIN.	TYP.	MAX.	UNIT
Input Voltage "H" Level	VIH	CMOS logic level	0.8VCC	—	VCC	V
Input Voltage "L" Level	VIL	CMOS logic level	GND	—	0.2VCC	
Input Leakage Current	IIH	VIH = VCC	—	—	1.0	uA
	IIL	VIL = GND	—	—	1.0	
Output Leakage Current	IOL	VOH = 17 V	—	—	1.0	uA
Output Voltage (S-OUT)	VOL	IOL = 1.5 mA	—	—	0.2	V
	VOH	IOH = 1.2 mA	VCC-0.2	—	—	
Output Current Skew (Channel-to-Channel) *1	IOL1	VOUT = 1.0 V REXT = 120 Ω	—	—	±3	%
Output Current Skew (Chip-to-Chip) *2	IOL2		4.62	4.92	5.22	mA
Output Voltage Regulation	% / VOUT	REXT = 120 Ω VOUT = 1 V ~ 3 V	—	0.1	0.5	% / V
Supply Voltage Regulation	% / VCC	REXT = 120 Ω	—	—	2	
Supply Current *3	IDD(off)	all pins are open unless VCC and GND	—	1.4	—	mA
	IDD(off)	Vout = 1.0V Rext = 120Ω all outputs turn off	—	1.3	—	
	IDD(on)	CKI = 20MHz Vout = 1.0V Rext = 120Ω all outputs turn on	—	1.8	—	
	IDD(off)	Vout = 1.0V Rext = 2.9Ω all outputs turn off	—	1.3	—	
	IDD(on)	CKI = 20MHz Vout = 1.0V Rext = 2.9Ω all outputs turn on	—	1.8	—	

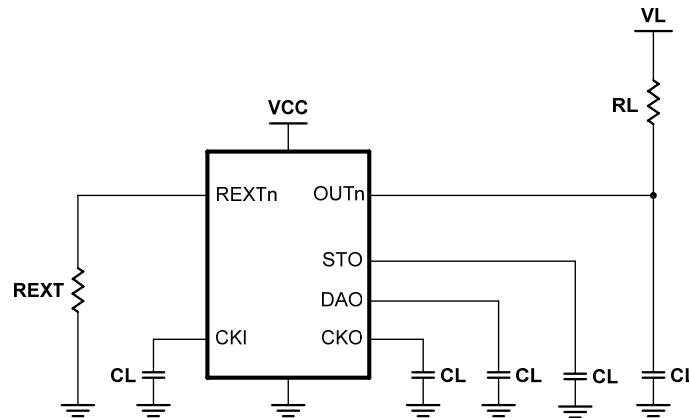
*1 Channel-to-channel skew is defined as the ratio between (any Iout – average Iout) and average Iout, where average Iout = (Imax + Imin) / 2.

*2 Chip-to-Chip skew is defined as the range into which any output current of any IC falls.

*3 IO excluded.

Switching Characteristics (VCC = 5.0V, Ta = 25°C unless otherwise noted)

CHARACTERISTIC		SYMBOL	CONDITION	MIN.	TYP.	MAX.	UNIT	
Propagation Delay (‘L’ to ‘H’)	CKI-to-CKO	tpLH	VIH = VCC VIL = GND REXTs = 33 Ω VL = 5.0 V RL = 180 Ω CL = 13 pF	—	11.5	—	ns	
	CKO-to-DAO (SDO = ‘L’)			—	8.4	—		
Propagation Delay (‘H’ to ‘L’)	CKI-to-CKO	tpHL		—	7.2	—		
	CKO-to-DAO (SDO = ‘H’)			—	4.0	—		
Output Current Rise Time		tor		—	18	—		ms
Output Current Fall Time		tof		—	12.5	—		
Output Current (Propagation Delay after STI low)		top ^{*1}	—	—	4.7	ms		



Switching Characteristics Test Circuit

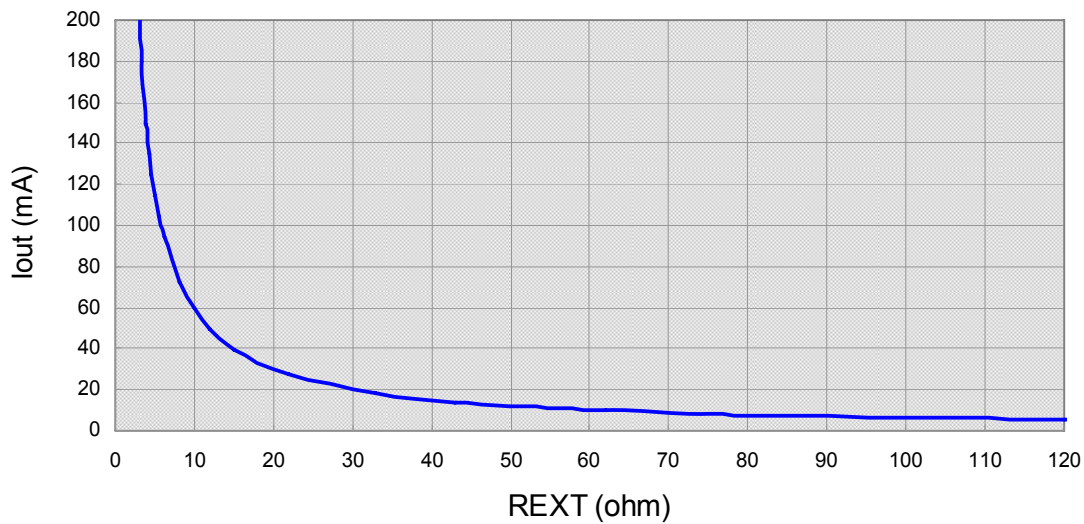
*1 Reload the new PWM data at the end of the last PWM frame.

Constant-Current Output

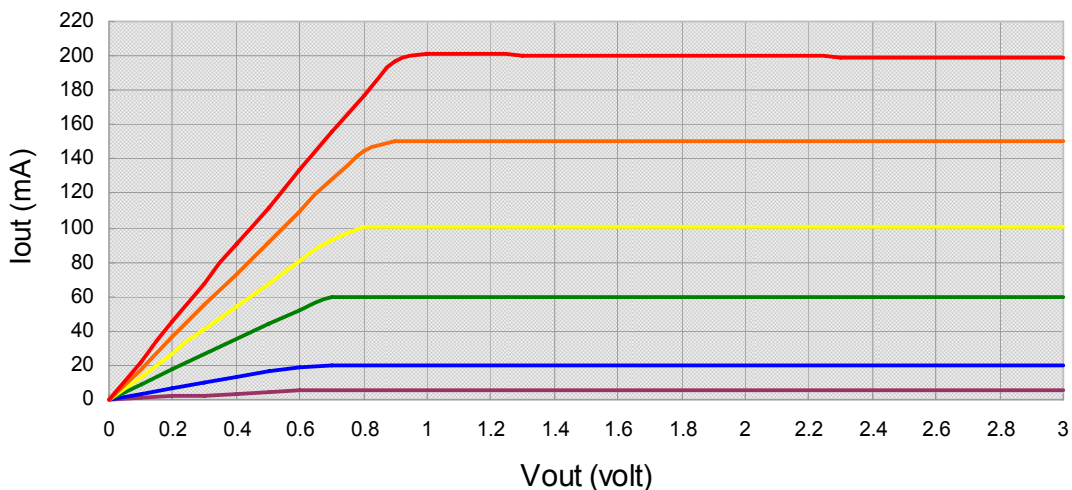
Constant-current value of each output channel is set by an external resistor connected between the R(G · B)REXT pin and GND individually. The current scale ranging can be adjusted from 5mA to 200mA by varying the resistor value. The output current value is calculated by the following equation:

$$I_{out}(mA) \approx \frac{0.58 V}{R_{EXT} (ohm)} \times 1000$$

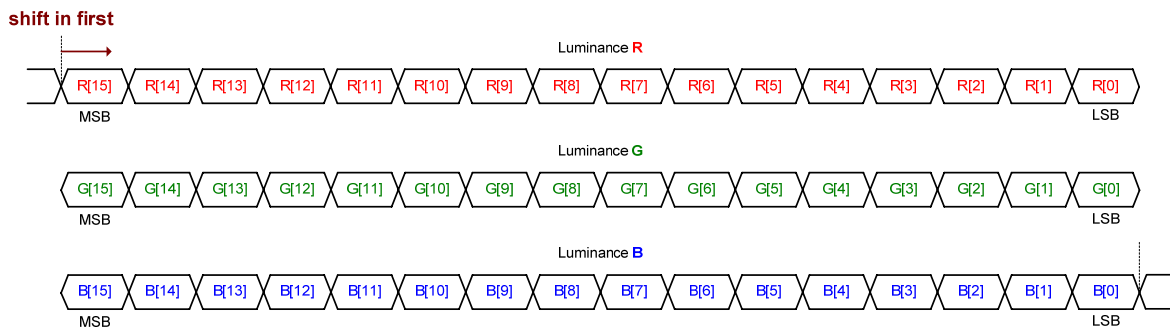
Output Current as a Function of REXT value



Output Current as a Function of Output Voltage



Input Data Format



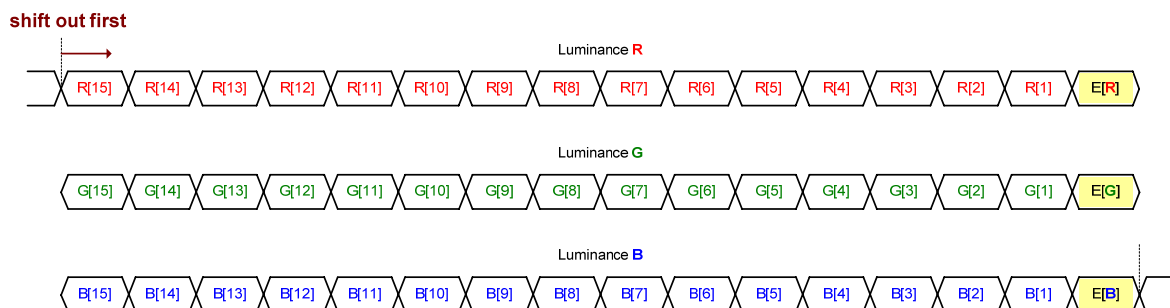
$$\text{Active width per frame(\%)} = \frac{L[15] \times 2^{15} + L[14] \times 2^{14} + L[13] \times 2^{13} + L[12] \times 2^{12} + L[11] \times 2^{11} + L[10] \times 2^{10} + L[9] \times 2^9 + L[8] \times 2^8 + L[7] \times 2^7 + L[6] \times 2^6 + L[5] \times 2^5 + L[4] \times 2^4 + L[3] \times 2^3 + L[2] \times 2^2 + L[1] \times 2^1 + L[0] \times 2^0}{65536}$$

*L[x] = 0 or 1 and it can be replaced by R[x], G[x], or B[x], where x = 0, 1, 2,.....15

LED Open Detection

DM412 provides a real time monitor of LED open detection function without extra components or circuit design. It will be identified as a LED open failure when the output is turned on but the output voltage is below 0.3V. The test result of each channel will write to its correspondent shift register which is in LSB position (R[0], G[0], B[0]) while strobe signal is active. User can refer to timing diagram on page12. Detecting report could be retrieved from serial-out (DAO) data. If the system reads '1' back, that indicates LED is in normal status. But if '0' was retrieved then LED open failure has occurred. In order to make sure LED open detection function is in well operating condition, it is recommended that all the luminance data are wrote to '1' then almost turning on the outputs during detection process.

Serial-out Data Format

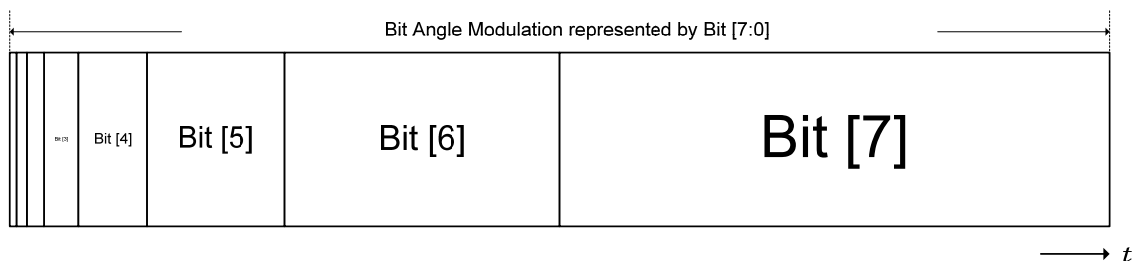


* E[R], E[G], E[B] are Error Message of LED Open Detection. '1' is normal, and '0' is abnormal.

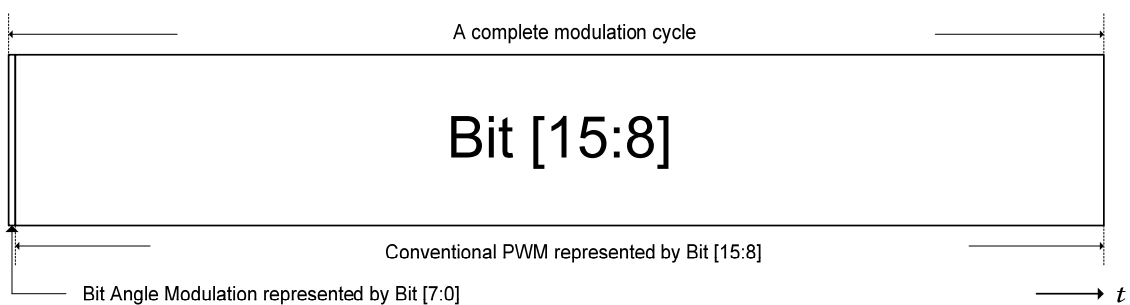
Output Modulation Technique

In order to minimize the harmonic noise and increasing current accuracy, DM412 provides a new LED drive technique of output modulation. It mixes traditional Pulse Width Modulation (PWM) represented by MSB 8 bit (Bit[15:8]) with Bit Angle Modulation (BAM) represented by LSB 8 bit (Bit[7:0]). The main benefit of BAM is to drive LED with an equivalent multiple frequencies in the lower intensity of LED light output. Each bit of BAM binary code is effectively allocated a fixed width of phase angles within a modulation cycle. The reference table shows the ratio defined by the binary significance of each bit:

bit	weighted width
7	256
6	128
5	64
4	32
3	16
2	8
1	4
0	1

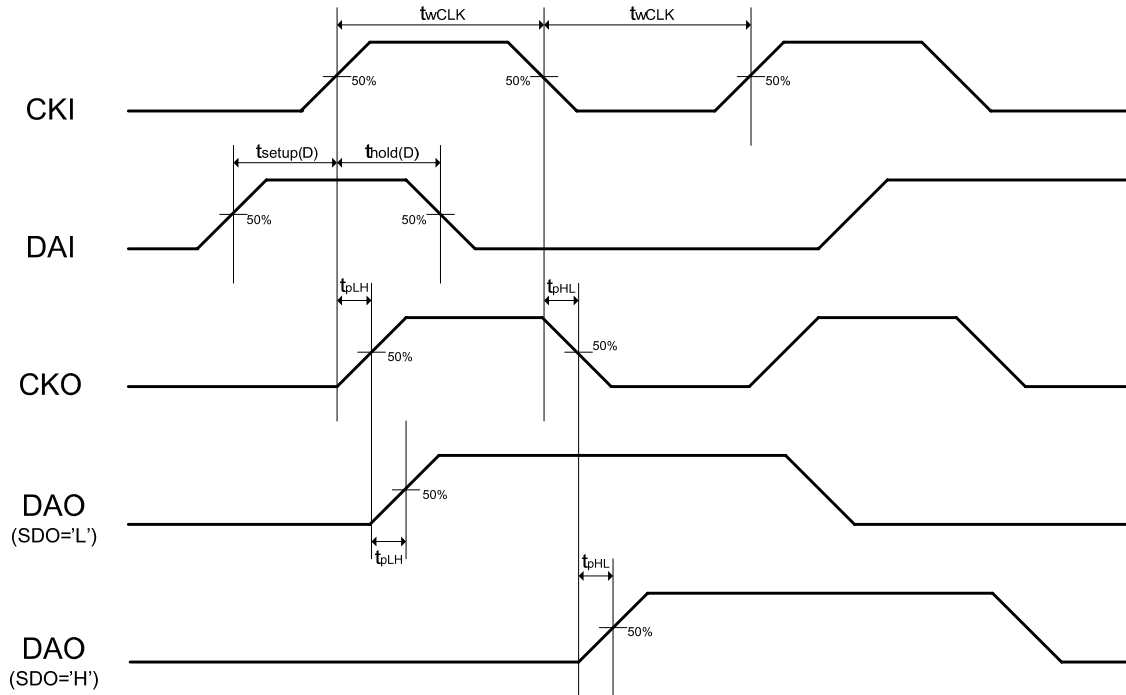


The relationships between BAM and PWM in the time domain can be refer to the diagram (not to scale) below:

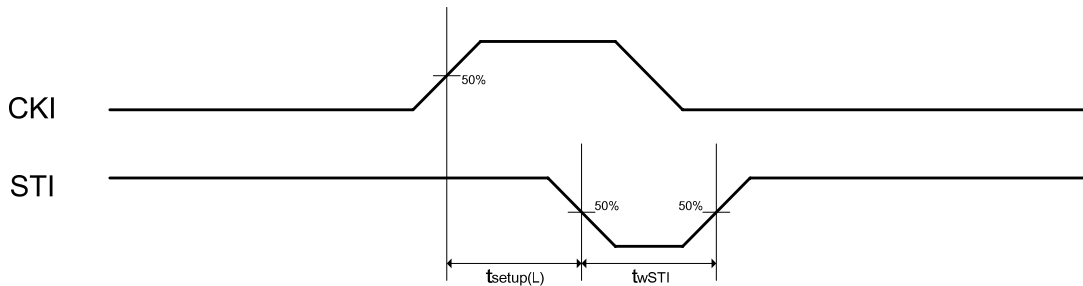


Timing Diagram

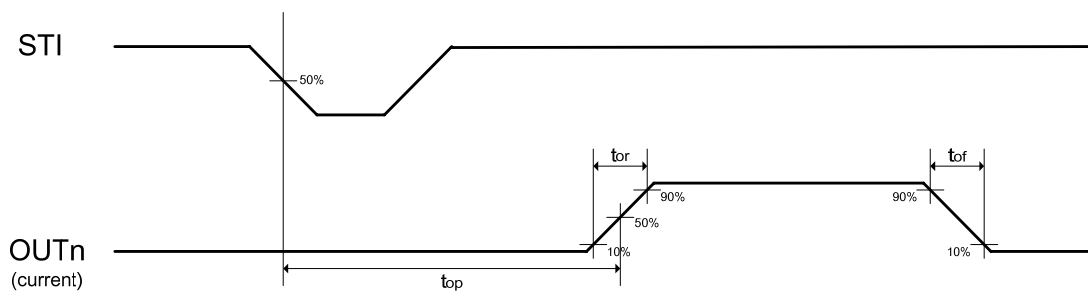
1. CKI-DAI, CKO, DAO



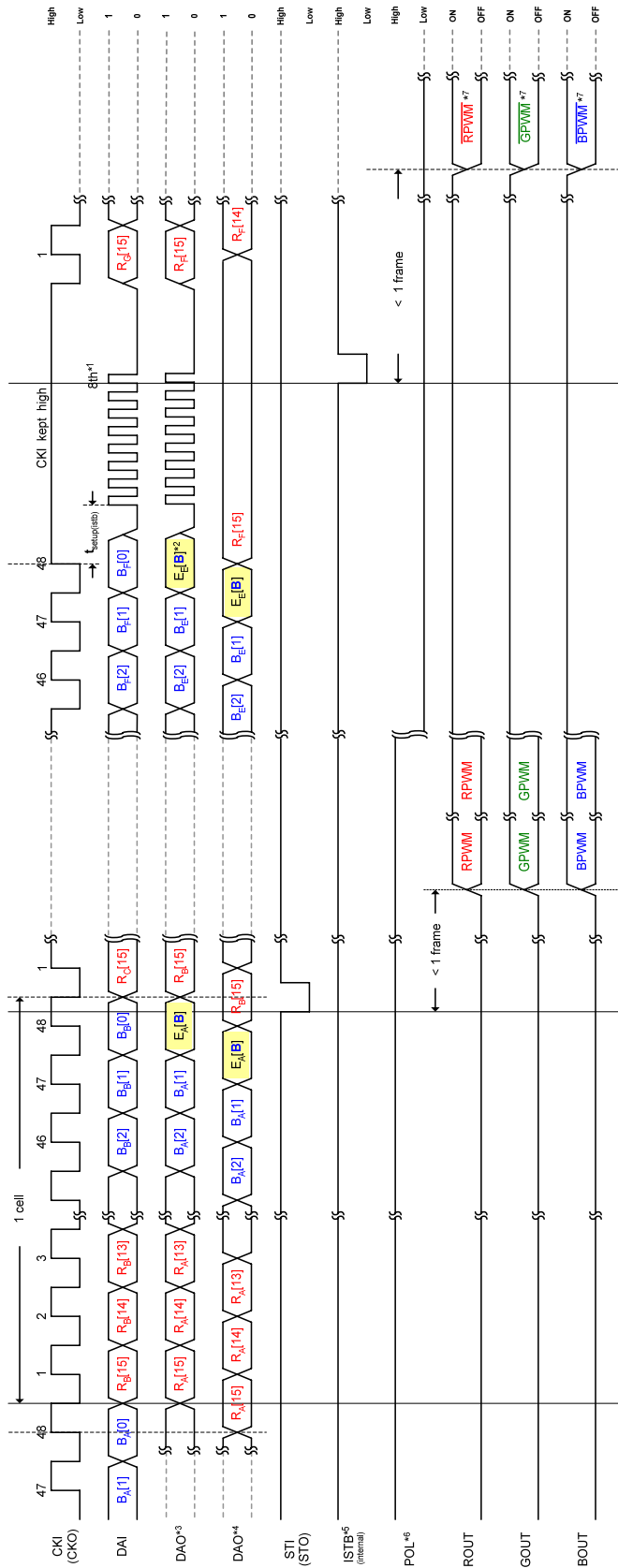
2. CKI-STI



3. STI-OUTn



Timing Diagram



*1 Keeping CKI in high level and sending into eight DAI pulses successively will trigger internal strobe automatically.

*2 Error message of LED open detection will be sent out from DAO.

*3 SDO = 'H'

*4 SDO = 'L'

*5 Internal strobe signal. **Auto latch function is only for SDO = 'H'**.

*6 POL is independent of STI or ISTB. Any level change of POL will set (POL=L→H) or reset (POL=H→L) PWM output.

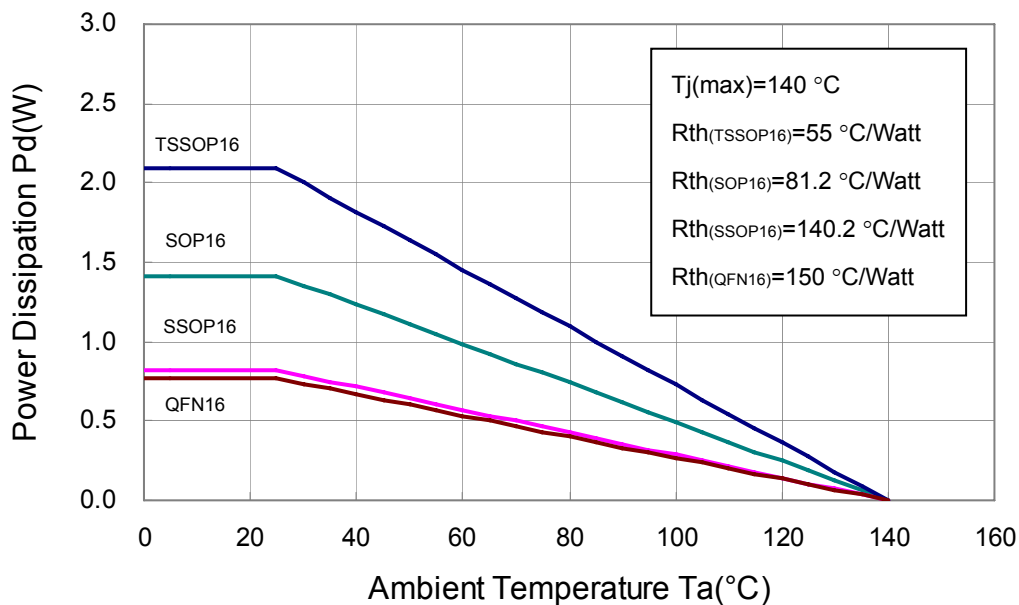
*7 $\overline{\text{PWM}}$ is inversion of PWM.

Power Dissipation

The power dissipation of a semiconductor chip is limited to its package and ambient temperature, in which the device requires the maximum output current calculated for given operating conditions. The maximum allowable power consumption can be calculated by the following equation:

$$Pd(max)(Watt) = \frac{Tj(junction\ temperature)(max)(\text{ }^{\circ}C) - Ta(ambient\ temperature)(\text{ }^{\circ}C)}{Rth(junction\text{-to}\text{-air\ thermal\ resistance)(\text{ }^{\circ}C/Watt)}$$

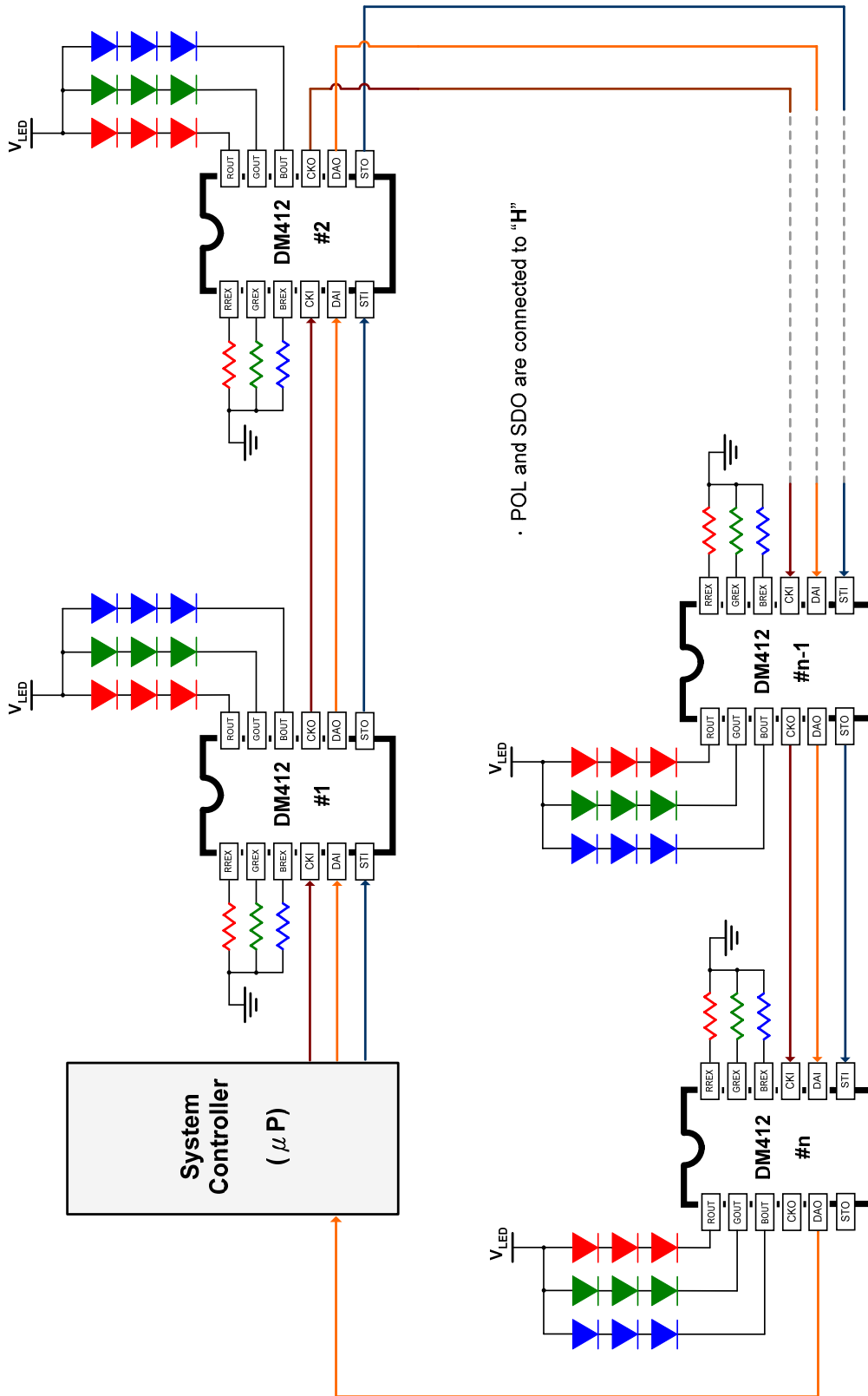
The relationship between power dissipation and operating temperature can be refer to the figure below:



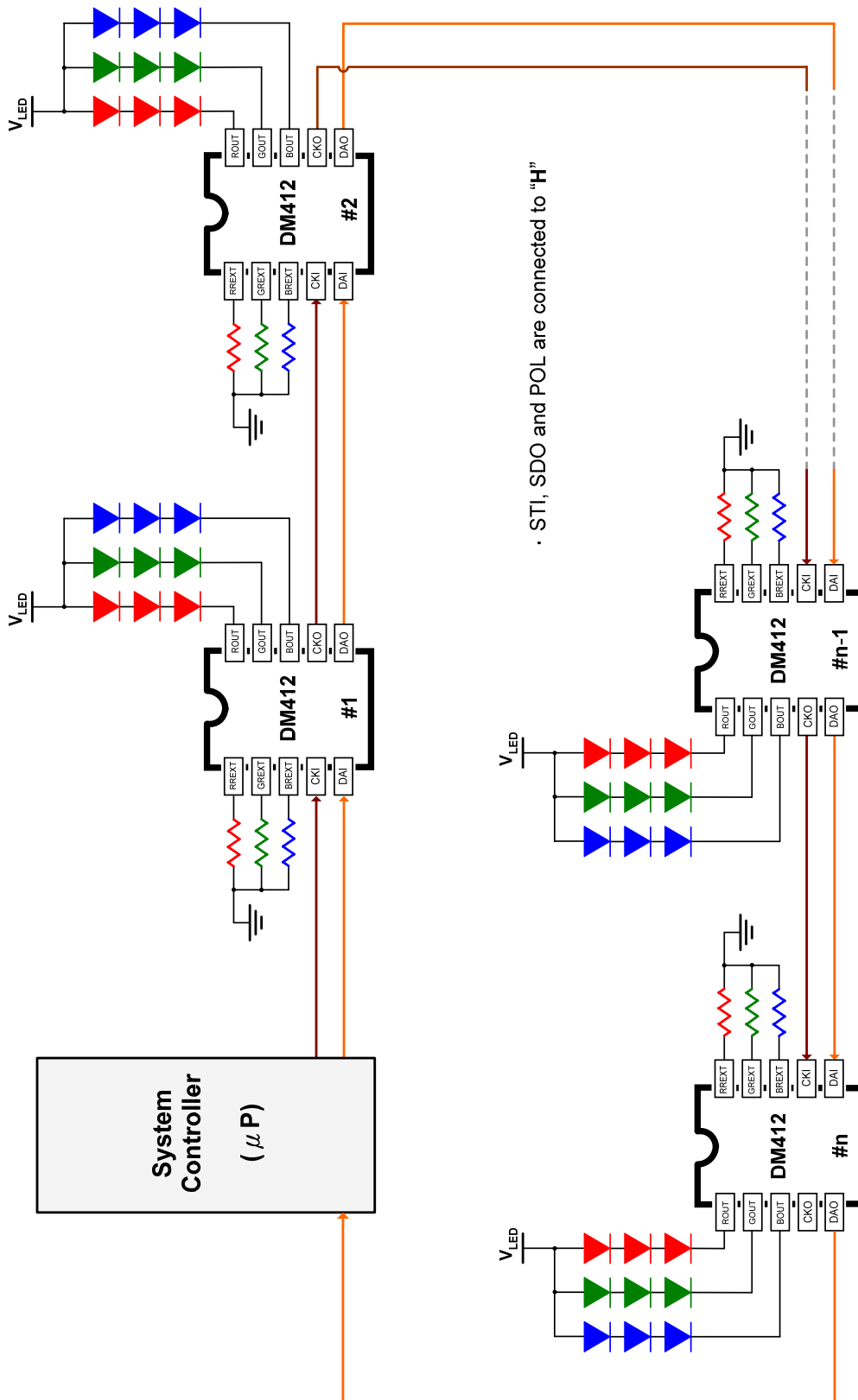
Based on the $Pd(max)$, the maximum allowable voltage of output terminal can be determined by the following equation:

$$VoutR \times IoutR \times DutyR + VoutG \times IoutG \times DutyG + VoutB \times IoutB \times DutyB \leq Pd(max)(W) - Vcc(V) \times Idd(A)$$

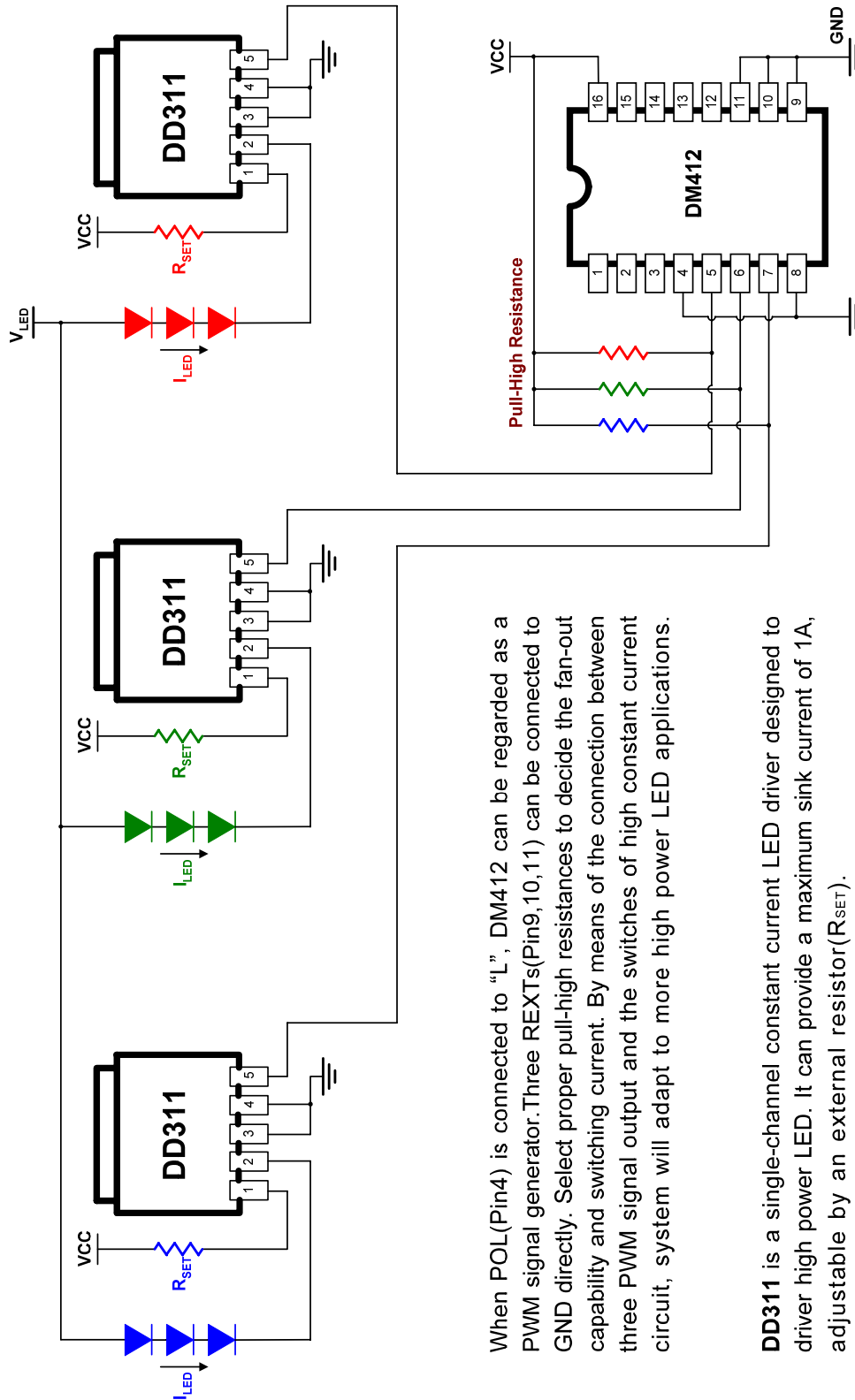
Typical Application



Typical Application



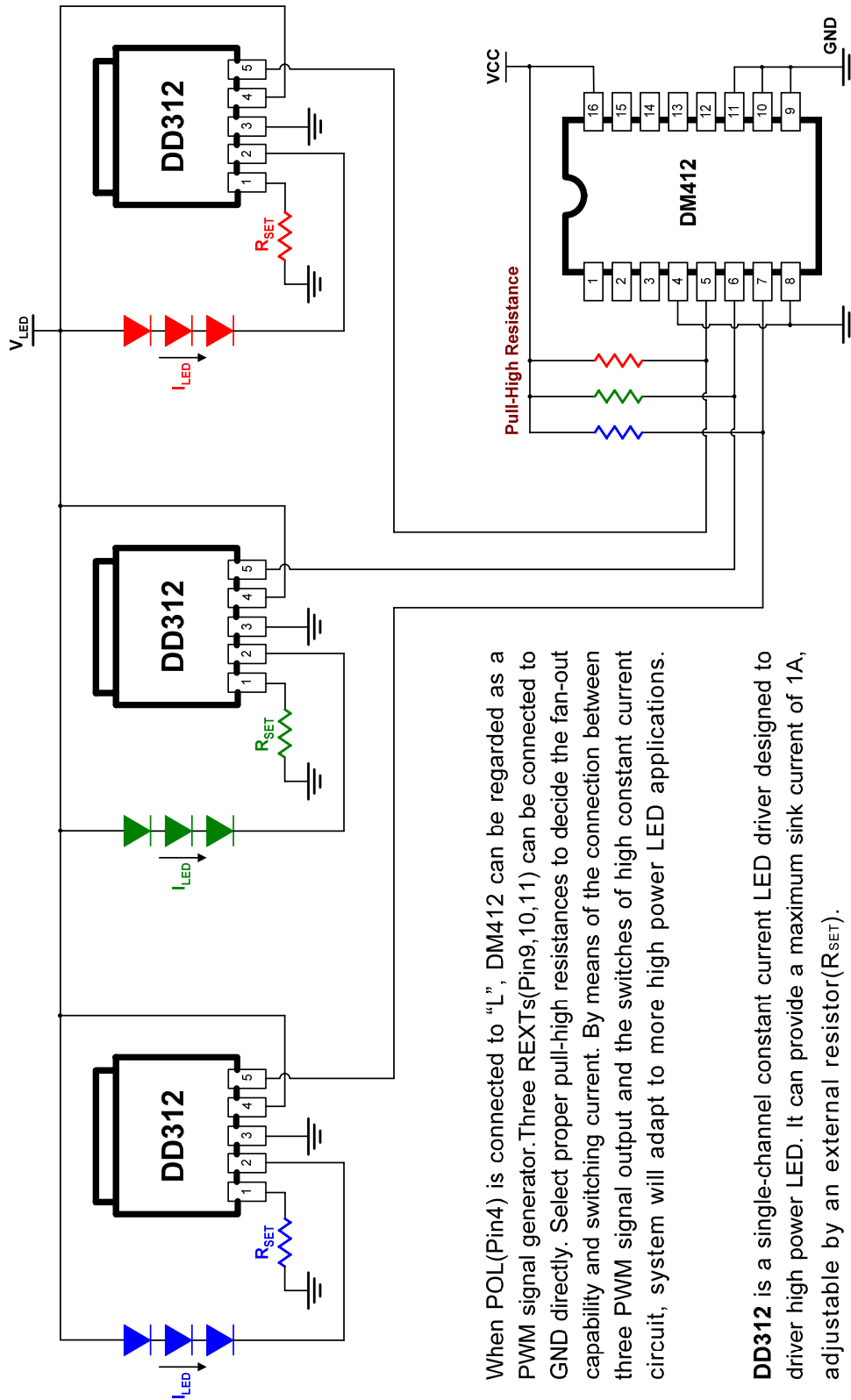
Typical Application



When POL(Pin4) is connected to "L", DM412 can be regarded as a PWM signal generator. Three REXTs(Pin9,10,11) can be connected to GND directly. Select proper pull-high resistances to decide the fan-out capability and switching current. By means of the connection between three PWM signal output and the switches of high constant current circuit, system will adapt to more high power LED applications.

DD311 is a single-channel constant current LED driver designed to driver high power LED. It can provide a maximum sink current of 1A, adjustable by an external resistor(R_{SET}).

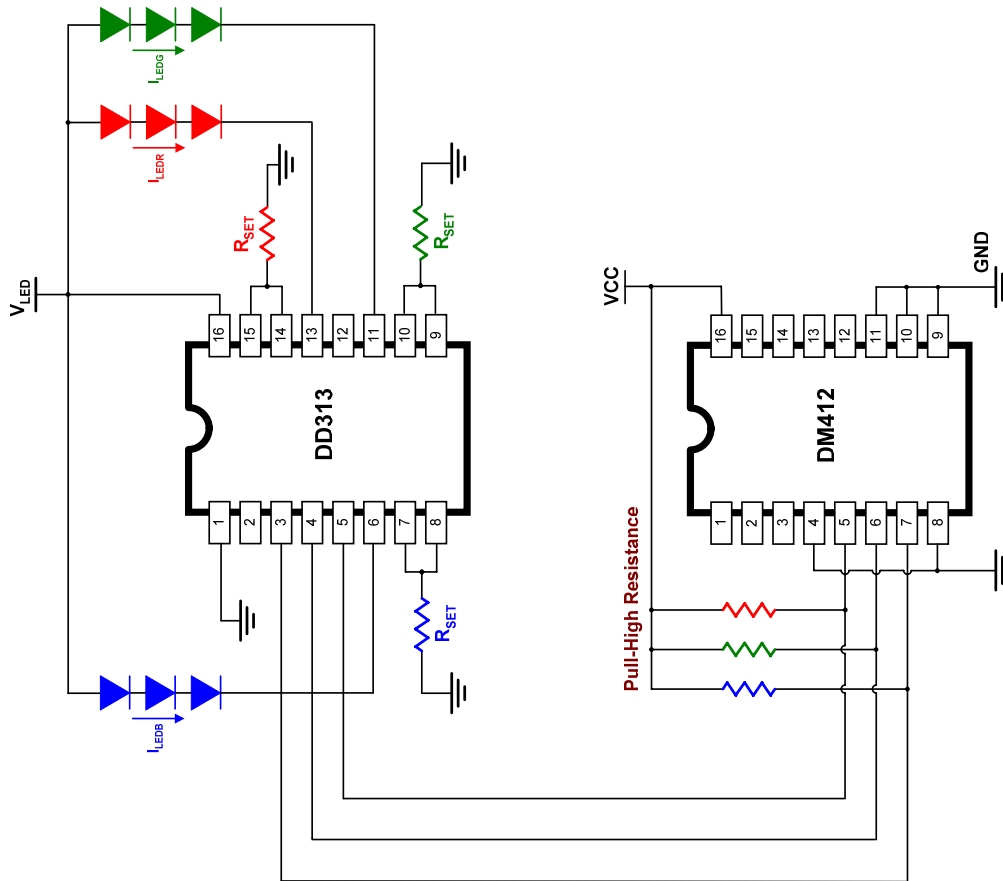
Typical Application



When POL(Pin4) is connected to "L", DM412 can be regarded as a PWM signal generator. Three REXTs(Pin9,10,11) can be connected to GND directly. Select proper pull-high resistances to decide the fan-out capability and switching current. By means of the connection between three PWM signal output and the switches of high constant current circuit, system will adapt to more high power LED applications.

DD312 is a single-channel constant current LED driver designed to driver high power LED. It can provide a maximum sink current of 1A, adjustable by an external resistor(R_{SET}).

Typical Application

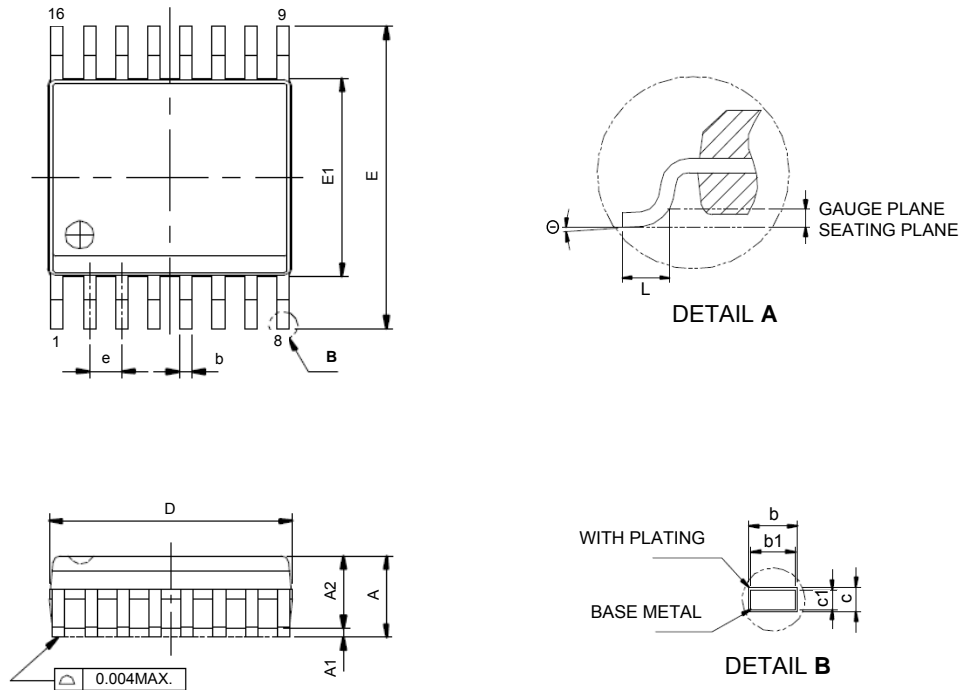


When POL(Pin4) is connected to "L", DM412 can be regarded as a PWM signal generator. Three REXTs(Pin9,10,11) can be connected to GND directly. Select proper pull-high resistances to decide the fan-out capability and switching current. By means of the connection between three PWM signal output and the switches of high constant current circuit, system will adapt to more high power LED applications.

DD313 is a three-channel constant current LED driver designed to driver high power LED. Each channel can provide a maximum sink current of 500mA, adjustable by an external resistor(R_{SET}).

Package Outline Dimension

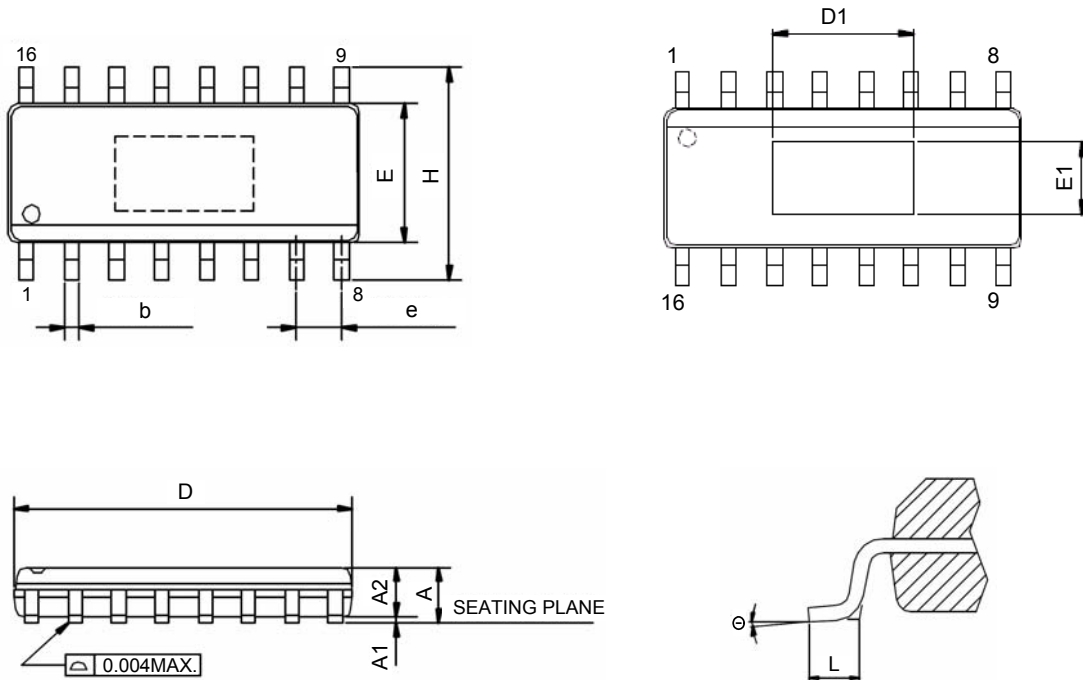
DM412-SSOP



SYMBOLS	DIMENSIONS IN INCH		DIMENSIONS IN MM	
	MIN.	MAX.	MIN.	MAX.
A	0.053	0.069	1.346	1.753
A1	0.004	0.010	0.102	0.254
A2	-	0.059	-	1.499
b	0.008	0.012	0.203	0.305
b1	0.008	0.011	0.203	0.279
c	0.007	0.010	0.178	0.254
c1	0.007	0.009	0.178	0.229
D	0.189	0.197	4.801	5.004
E	0.228	0.244	5.791	6.198
E1	0.150	0.157	3.810	3.988
e	0.025TYP.		0.635TYP.	
L	0.016	0.050	0.406	1.270
Θ	0°	8°	0°	8°

Package Outline Dimension

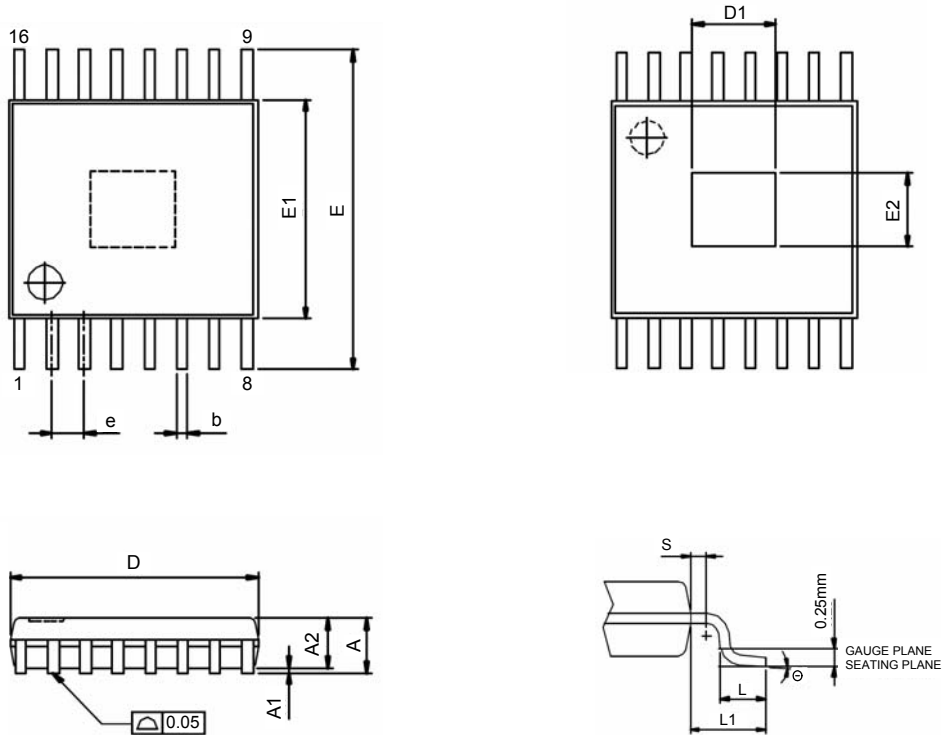
DM412-SOPEX



SYMBOLS	DIMENSIONS IN INCH		DIMENSIONS IN MM	
	MIN.	MAX.	MIN.	MAX.
A	0.053	0.069	1.346	1.753
A1	0.004	0.010	0.102	0.254
b	0.016TYP.		0.406TYP.	
D	0.386	0.394	9.804	10.008
D1	0.162TYP.		4.115TYP.	
E	0.150	0.157	3.810	3.988
E1	0.086TYP.		2.184TYP.	
e	0.050TYP.		1.270TYP.	
H	0.228	0.244	5.791	6.198
L	0.016	0.050	0.406	1.270
Θ	0°	8°	0°	8°

Package Outline Dimension

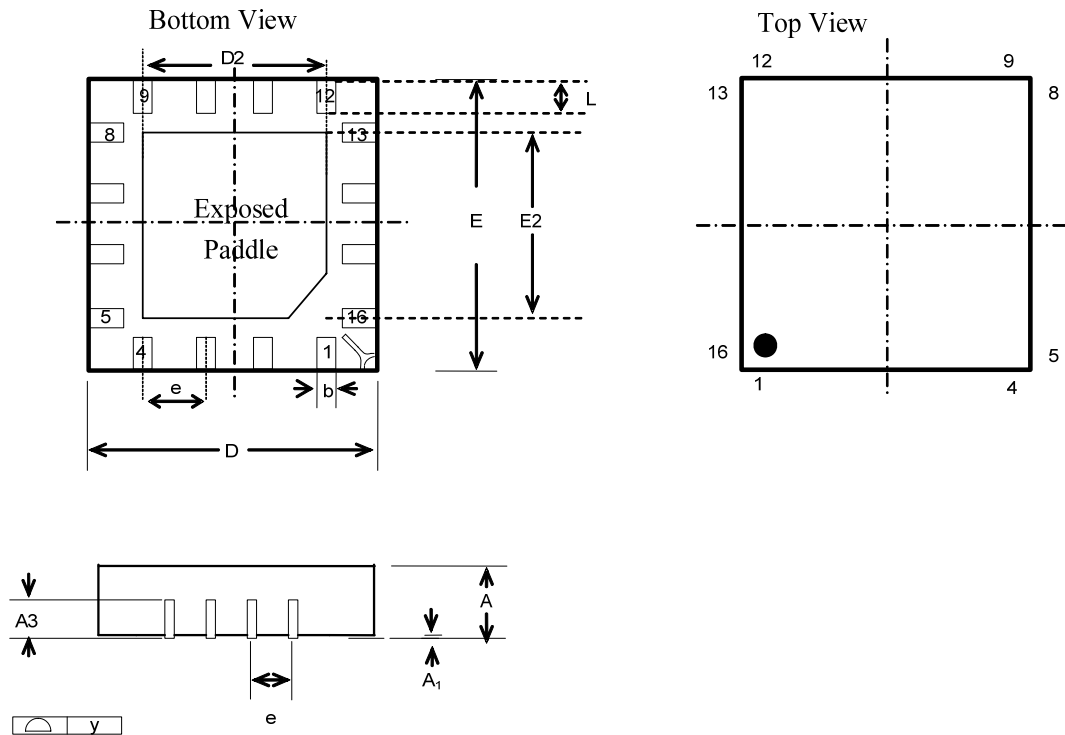
DM412-TSSOPEX



SYMBOLS	DIMENSIONS IN INCH		DIMENSIONS IN MM	
	MIN.	MAX.	MIN.	MAX.
A	-	0.047	-	1.20
A1	0.000	0.006	0.00	0.15
A2	0.031	0.041	0.80	1.05
b	0.007	0.012	0.19	0.30
D	0.193	0.201	4.90	5.10
D1	0.106	-	2.70	-
E	0.252TYP.		6.40TYP.	
E1	0.169	0.177	4.30	4.50
E2	0.106	-	2.70	-
e	0.026TYP.		0.65TYP.	
L	0.018	0.030	0.45	0.75
L1	0.039TYP.		1.00TYP.	
S	0.008	-	0.20	-
Θ	0°	8°	0°	8°

Package Outline Dimension

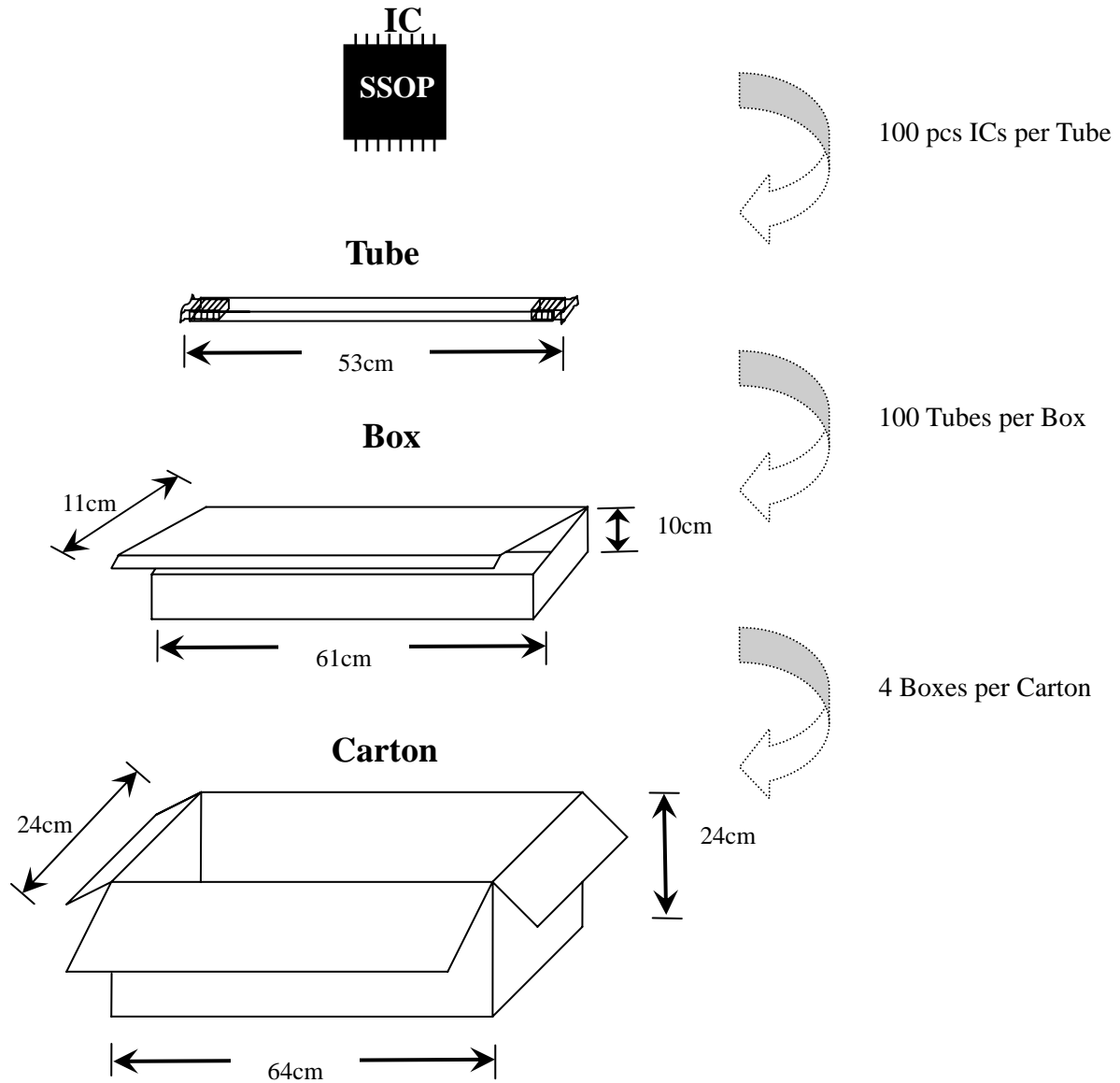
DM412-QFN



SYMBOL	Dimensions (mm)			Dimensions (inch)		
	MIN	NOM	MAX	MIN	NOM	MAX
A	0.70	0.75	0.80	0.028	0.030	0.032
A ₁	0.00	0.02	0.05	0.00	0.001	0.002
A ₃	—	0.203	—	—	0.008	—
b	0.18	0.23	0.30	0.007	0.009	0.012
D	2.90	3.00	3.10	0.114	0.118	0.122
D ₂	1.40	1.50	1.67	0.055	0.059	0.066
E	2.90	3.00	3.10	0.114	0.118	0.122
E ₂	1.40	1.50	1.67	0.055	0.059	0.066
e	—	0.5	—	—	0.020	—
L	0.30	0.40	0.50	0.012	0.016	0.020
Y	—	0.08	—	—	0.003	—

DM412-SSOP Package and Weight (4 Boxes Set)

SSOP16 - 150 - 0.635

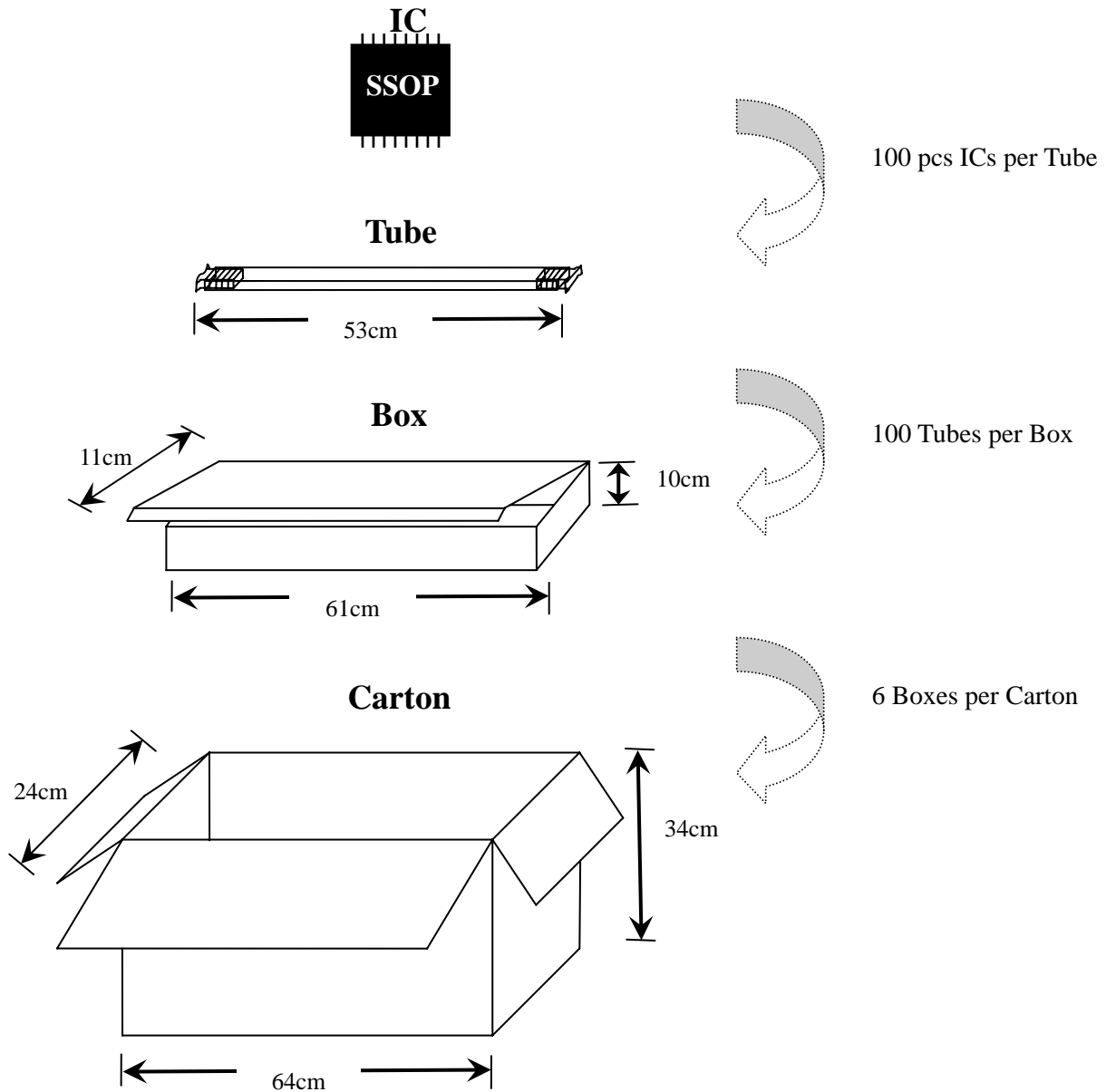


Weight

Item	Description	Weight (Kg)
1	100 pcs DM412-SSOP per Tube	0.02±5%
2	Net Weight of one Box	0.40±5%
3	Net Weight of one Carton	1.24±5%
4	Per Carton Set (4 Boxes, 40,000 pcs)	10.84±5%

DM412-SSOP Package and Weight (6 Boxes Set)

SSOP16 - 150 - 0.635

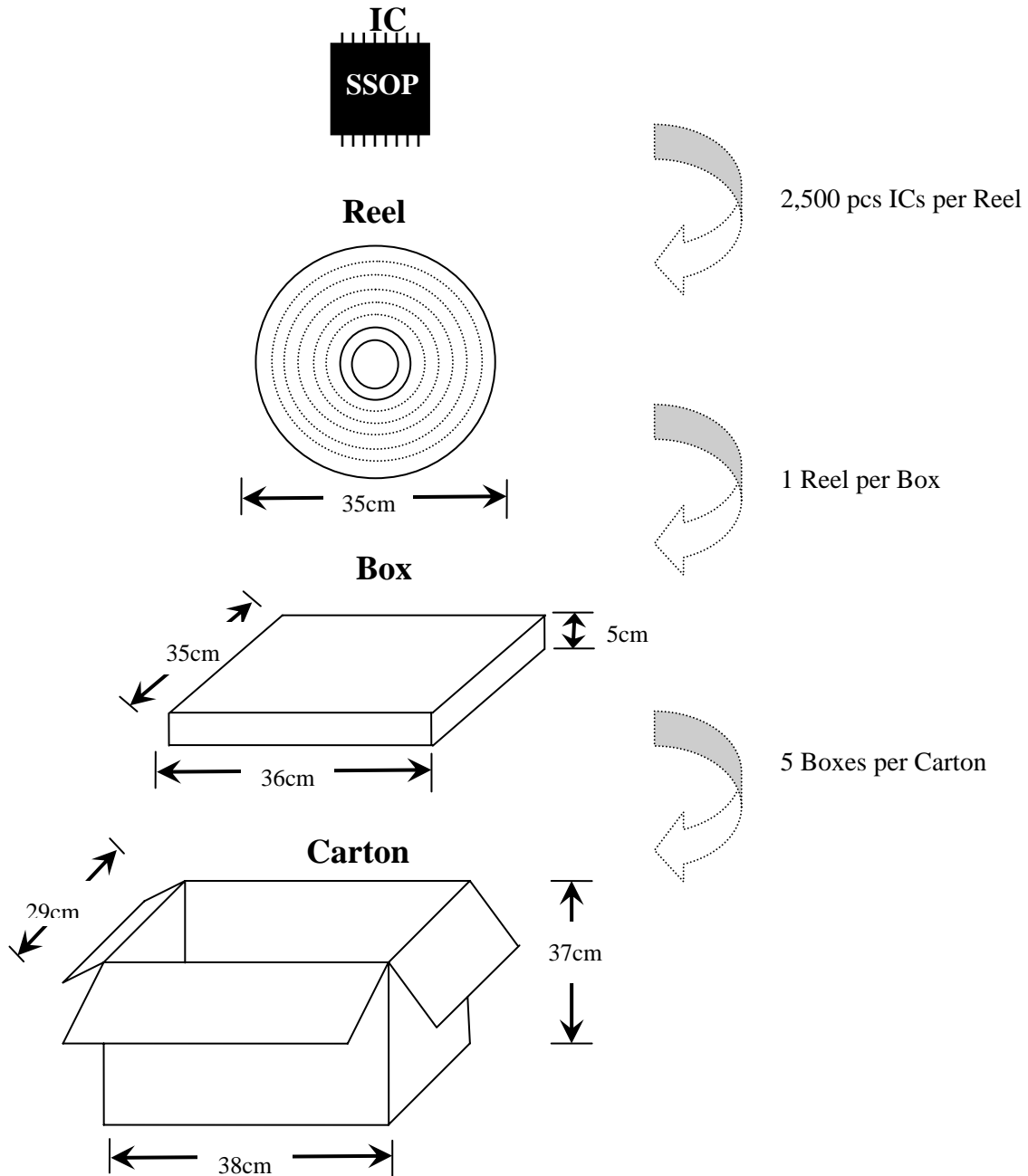


Weight

Item	Description	Weight (Kg)
1	100 pcs DM412-SSOP per Tube	0.02±5%
2	Net Weight of one Box	0.40±5%
3	Net Weight of one Carton (for 6 Boxes)	1.44±5%
4	Per Carton Set (6 Boxes, 60,000 pcs)	15.84±5%

DM412-SSOP Package and Weight

SSOP16 - 150 - 0.635

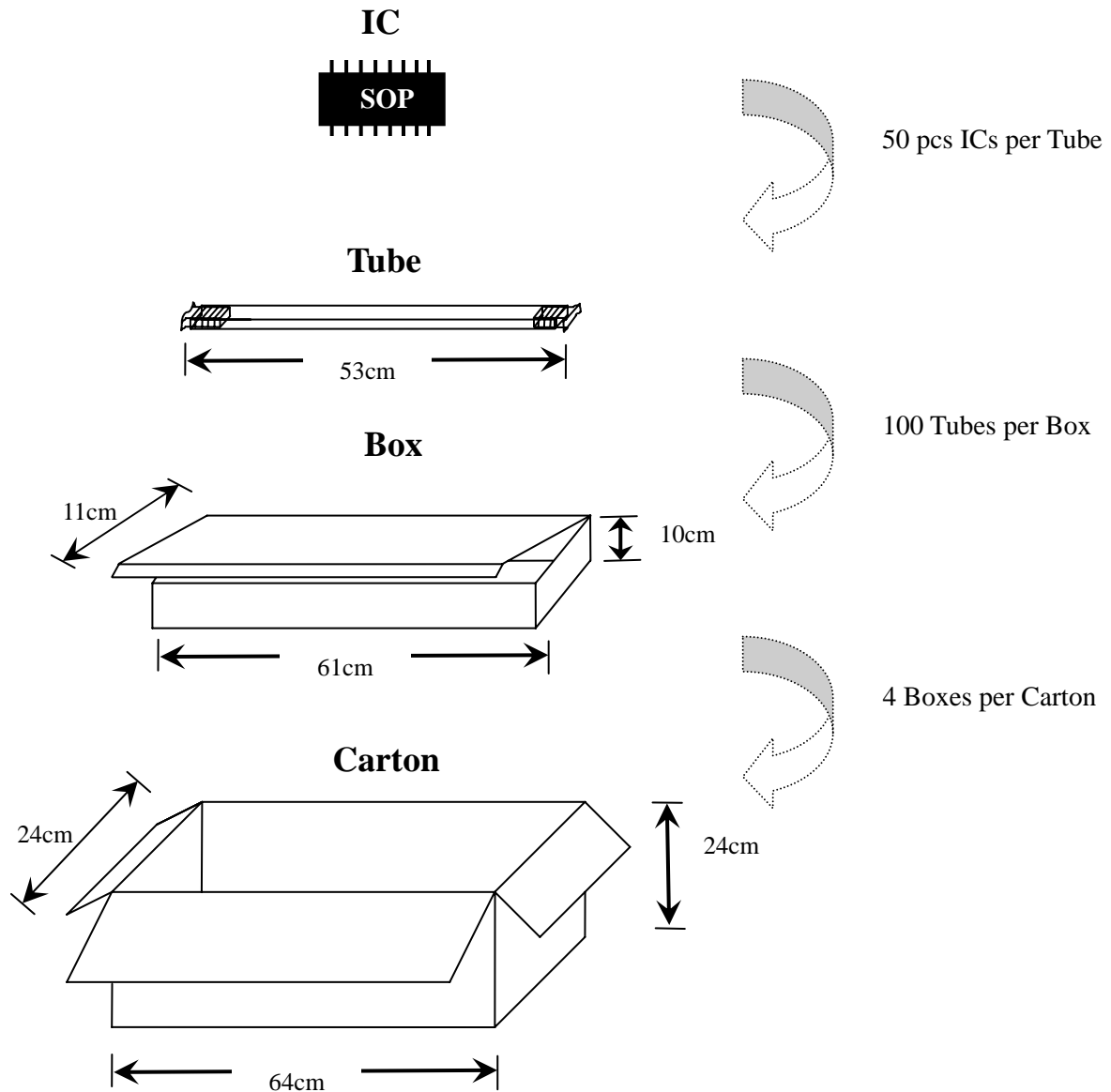


Weight

Item	Description	Weight (Kg)
1	2,500 pcs DM412-SSOP per Reel	0.71±5%
2	Net Weight of one Box	0.24±5%
3	Net Weight of one Carton	0.90±5%
4	Per Carton Set (5 Boxes, 12,500 pcs)	5.65±5%

DM412-SOPEX Package and Weight (4 Boxes Set)

SOP16 – 150 - 1.27 (Exposed Pad)

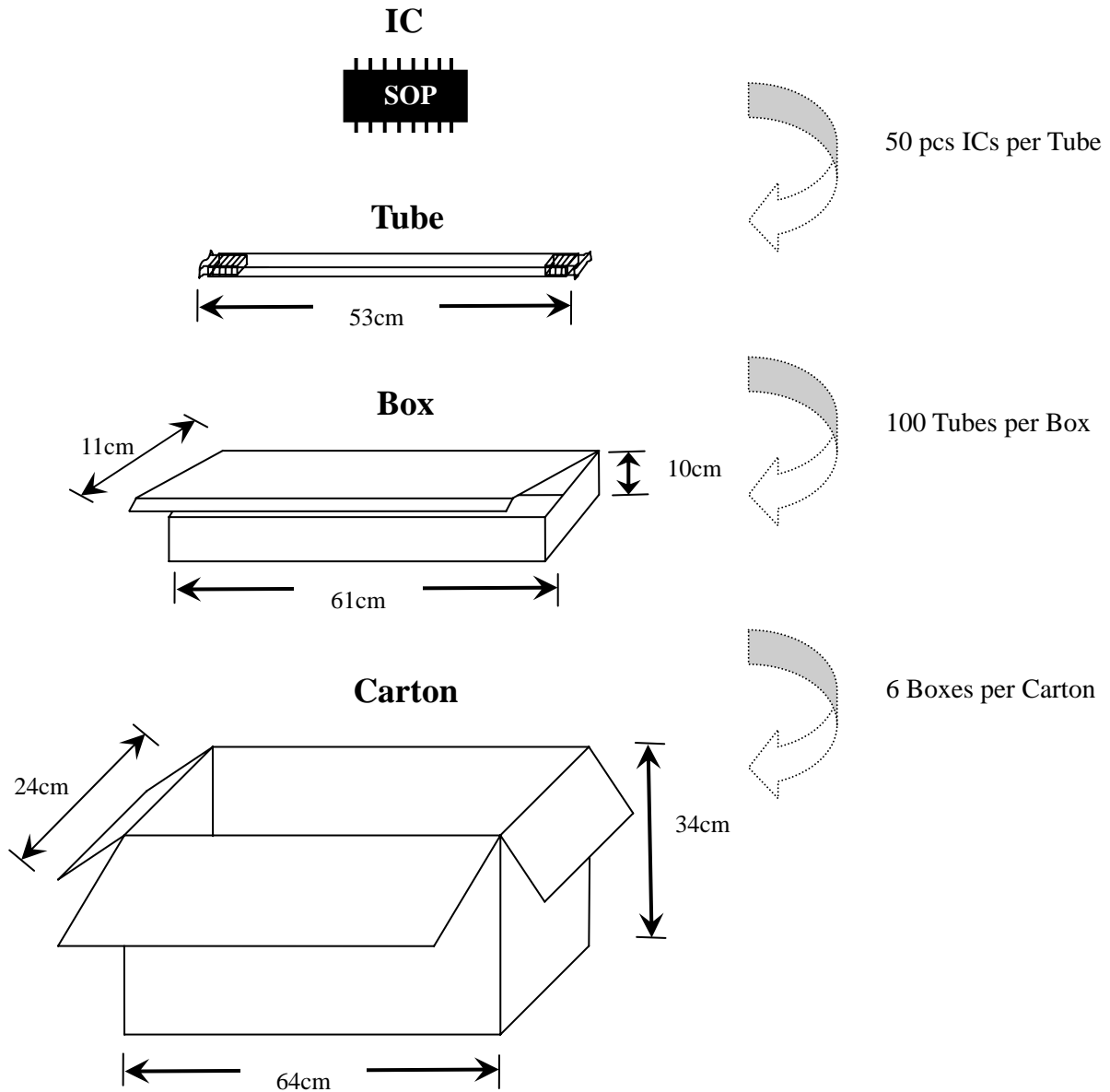


Weight

Item	Description	Weight (Kg)
1	50 pcs DM412-SOPEX per Tube	0.016±5%
2	Net Weight of one Box	0.40±5%
3	Net Weight of one Carton	1.24±5%
4	Per Carton Set (4 Boxes, 20,000 pcs)	9.24±5%

DM412-SOPEX Package and Weight (6 Boxes Set)

SOP16 – 150 - 1.27 (Exposed Pad)

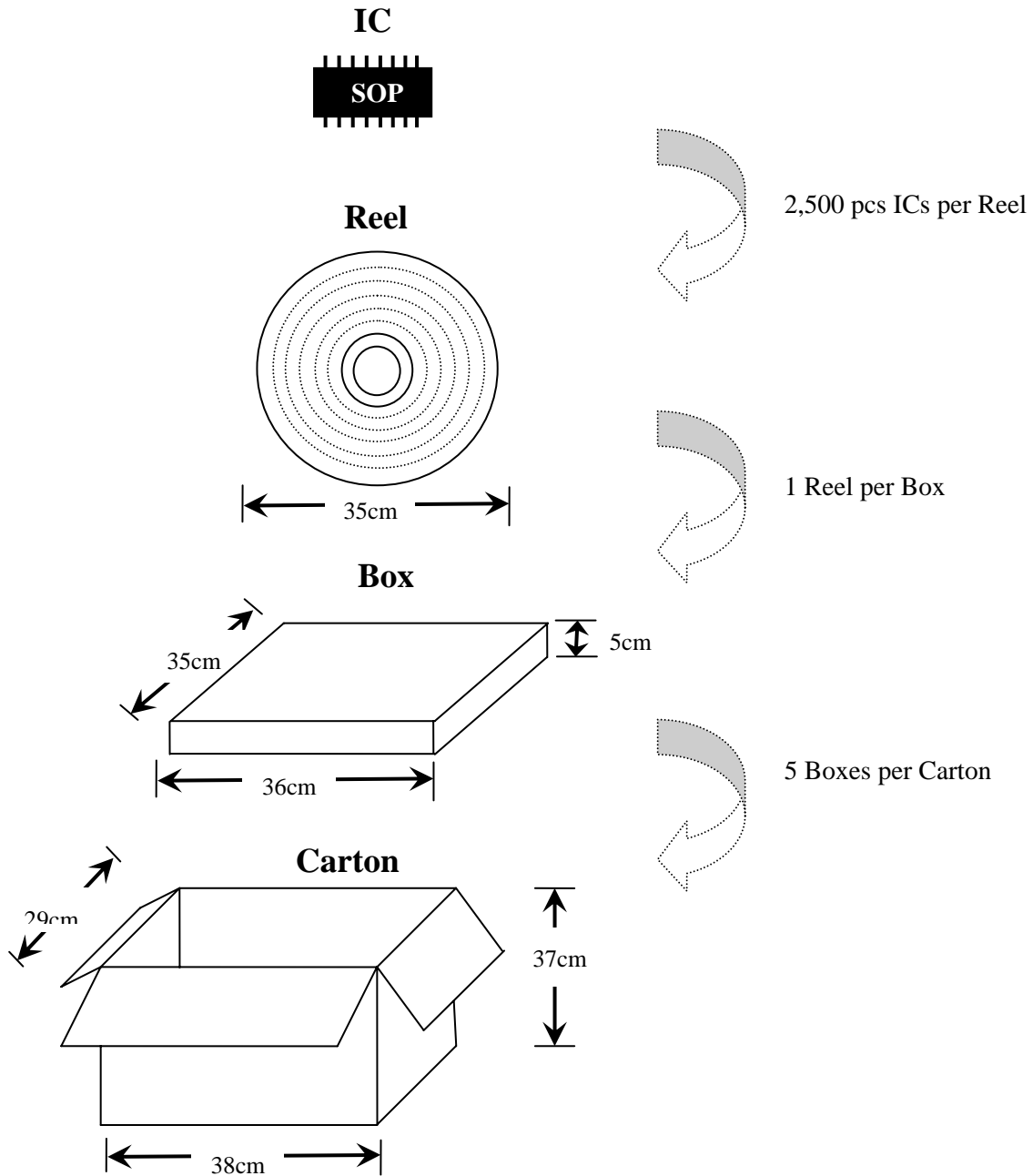


Weight

Item	Description	Weight (Kg)
1	50 pcs DM412-SOPEX per Tube	0.016±5%
2	Net Weight of one Box	0.40±5%
3	Net Weight of one Carton (for 6 Boxes)	1.44±5%
4	Per Carton Set (6 Boxes, 30,000 pcs)	13.44±5%

DM412-SOPEX Package and Weight

SOP16 – 150 - 1.27 (Exposed Pad)

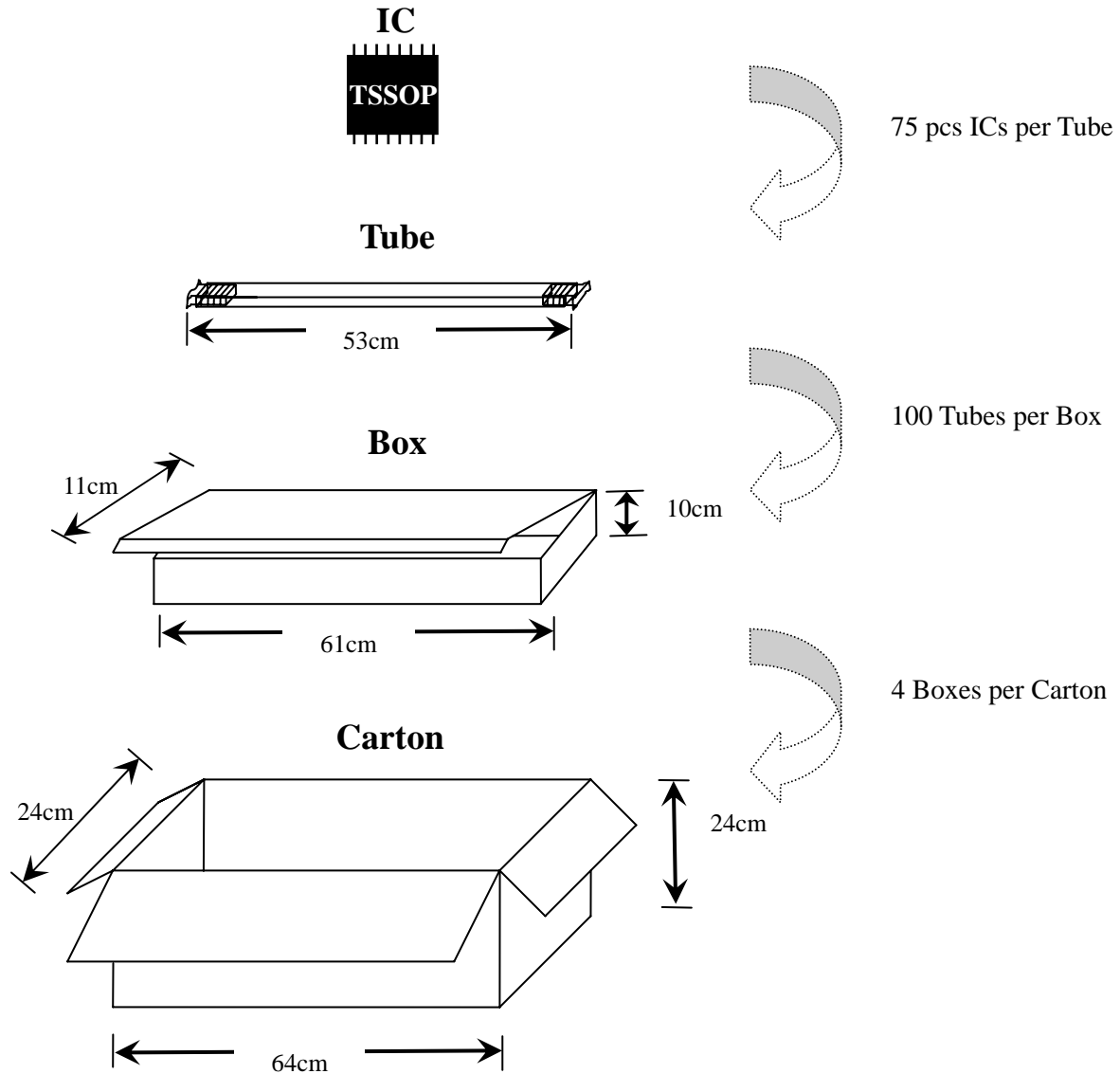


Weight

Item	Description	Weight (Kg)
1	2,500 pcs DM412-SOPEX per Reel	0.97±5%
2	Net Weight of one Box	0.24±5%
3	Net Weight of one Carton	0.90±5%
4	Per Carton Set (5 Boxes, 12,500 pcs)	6.95±5%

DM412-TSSOPEX Package and Weight (4 Boxes Set)

TSSOP16 - 173 - 0.65 (Exposed Pad)

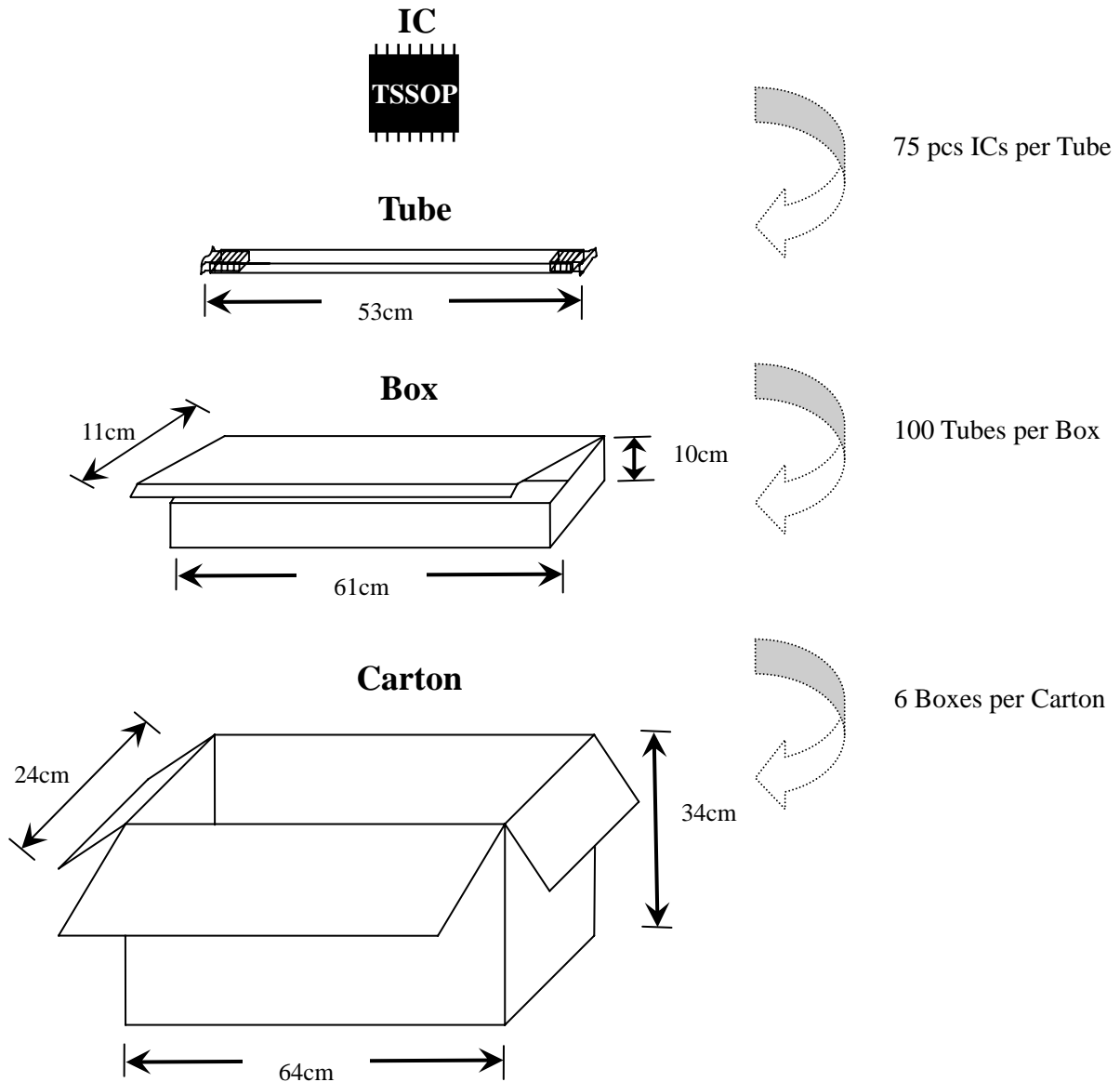


Weight

Item	Description	Weight (Kg)
1	75 pcs DM412-TSSOPEX per Tube	0.011±5%
2	Net Weight of one Box	0.40±5%
3	Net Weight of one Carton (for 4 Boxes)	1.24±5%
4	Per Carton Set (4 Boxes, 30,000 pcs)	7.24±5%

DM412-TSSOPEX Package and Weight (6 Boxes Set)

TSSOP16 - 173 - 0.65 (Exposed Pad)

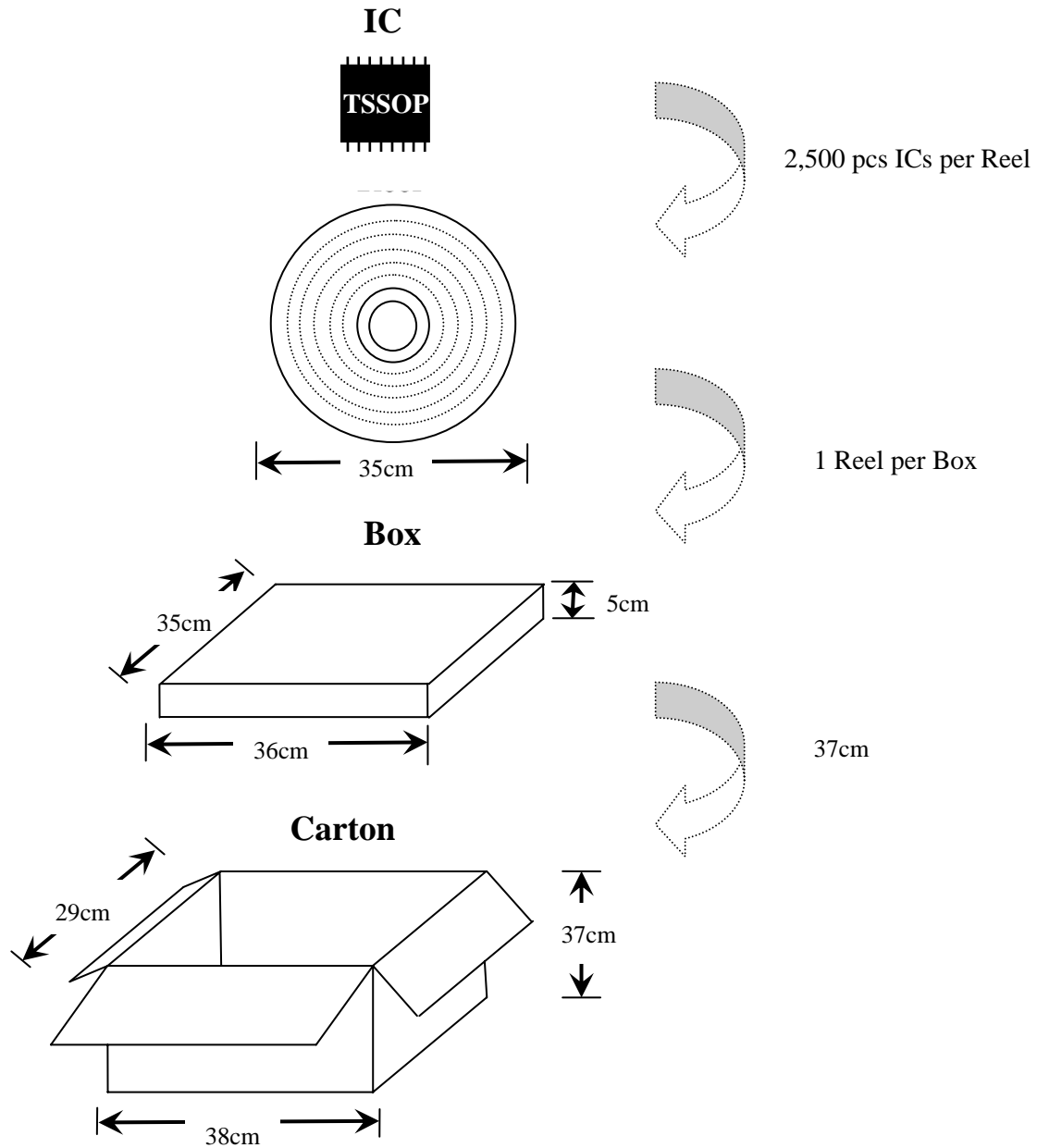


Weight

Item	Description	Weight (Kg)
1	75 pcs DM412-TSSOPEX per Tube	0.011±5%
2	Net Weight of one Box	0.40±5%
3	Net Weight of one Carton	1.44±5%
4	Per Carton Set (6 Boxes, 45,000 pcs)	10.44±5%

DM412-TSSOPEX Package and Weight

TSSOP16 - 173 - 0.65 (Exposed Pad)

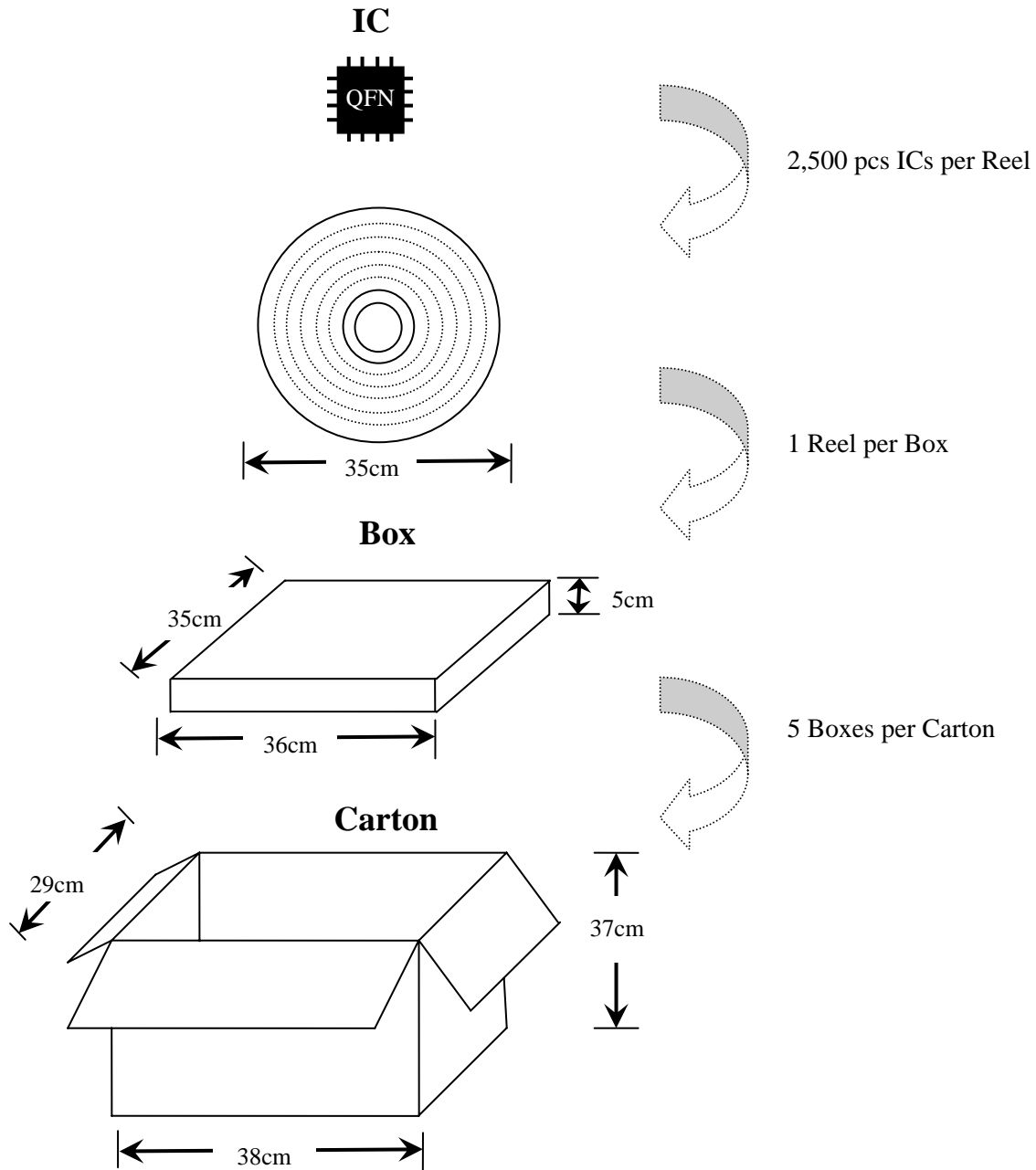


Weight

Item	Description	Weight (Kg)
1	2,500 pcs DM412-TSSOPEX per Reel	0.73±5%
2	Net Weight of one Box	0.24±5%
3	Net Weight of one Carton	0.90±5%
4	Per Carton Set (5 Boxes, 12,500 pcs)	5.75±5%

DM412-QFN Package and Weight

SOP16 - 150 - 1.27 (Exposed Pad)



Weight

Item	Description	Weight (Kg)
1	2,500 pcs DM412-QFN per Reel	0.58±5%
2	Net Weight of one Box	0.24±5%
3	Net Weight of one Carton	0.90±5%
4	Per Carton Set (5 Boxes, 12,500 pcs)	5±5%



Product Ordering Information

Part Number	Package Type	Number / Weight (typ.)	
		Tube / Tray	Reel (Box included)
DM412-SOPEX	SOP16-150-1.27 (Exposed Pad)	50 pcs / Tube 0.016kg ± 5%	2,500pcs / Reel 0.97kg ± 5%
DM412-SSOP	SSOP16-150-0.635	100pcs / Tube 0.02kg ± 5%	2,500pcs / Reel 0.71kg ± 5%
DM412-TSSOPEX	TSSOP16-173-0.65 (Exposed Pad)	75pcs / Tube 0.011kg ± 5%	2,500pcs / Reel 0.73kg ± 5%
DM412-QFN	QFN16-3×3	—	2,500pcs / Reel 0.58kg ± 5%



The products listed herein are designed for ordinary electronic applications, such as electrical appliances, audio-visual equipment, communications devices and so on. Hence, it is advisable that the devices should not be used in medical instruments, surgical implants, aerospace machinery, nuclear power control systems, disaster/crime-prevention equipment and the like. Misusing those products may directly or indirectly endanger human life, or cause injury and property loss.

Silicon Touch Technology, Inc. will not take any responsibilities regarding the misuse of the products mentioned above. Anyone who purchases any products described herein with the above-mentioned intention or with such misused applications should accept full responsibility and indemnify. Silicon Touch Technology, Inc. and its distributors and all their officers and employees shall defend jointly and severally against any and all claims and litigation and all damages, cost and expenses associated with such intention and manipulation.